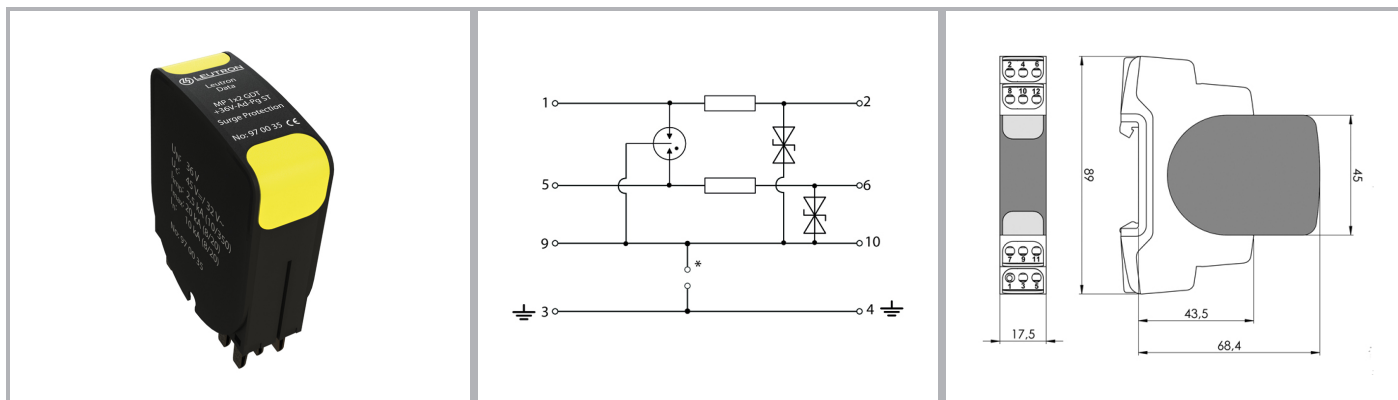


# Datasheet

## Web catalogue

### Pluggable SPD for MCR applications



Plug-in module for consistently pluggable, two-part arrester for signal circuits, which means that plugs can be pulled out in an impedance-neutral manner for testing and maintenance purposes. The base part (see accessories) remains in the installation, so there is no need to intervene in the cabling.

- Protection of one double or two single lines.
- Protective plug can be removed without changing the line impedance or influencing the useful signal
- Test standard: IEC 61643-21 / EN 61643-21
- Vibration test standard: DIN EN 60068-2-6, IEC 60068-2-6
- Shock test standard: DIN EN 60068-2-27, IEC 60068-2-27
- Applicable at the boundaries LPZ 0A - 1 and higher.
- Mounting on 35 mm DIN rail (EN 60715)
- Enclosure material: thermoplastic
- Housing width: 17.5 mm
- Protection of one double or two single lines.

Technical Data		MP 1x2 GDT+36V-Ad-Pg ST
IEC category		D1 / C2 / C1 / C3
Nominal voltage DC	UN	36V=
Max. continuous operating voltage (DC/AC)	Uc	45/32V
Nominal current	IL	0,5A
D1 lightning impulse current (10/350 µs) per line	Iimp	2,5kA
C2 nominal discharge current (8/20 µs) total	I <sub>max</sub>	20kA
C2 nominal discharge current (8/20 µs) per line	I <sub>n</sub>	10kA
Protection level line-line at Iimp D1	U <sub>p</sub>	≤ 135V
Protection level line-earth at Iimp D1	U <sub>p</sub>	≤ 85V
Protection level line-line at 1 kV/µs C3	U <sub>p</sub>	≤ 116V
Protection level line-Pg at 1 kV/µs C3	U <sub>p</sub>	≤ 58V
Series resistance per line		2,2Ω
Max. operating frequency (-3 dB)	f <sub>G</sub>	typ. 8,0MHz
Conductor cross section (solid/stranded/AWG)		0.2-4.0/0.2-2.5 mm <sup>2</sup> / 24-12
Operating temperature range	TU	-40 - +80°C
Inflammability class according to UL 94		V0
Degree of protection (IEC EN 60529)		IP 20
Enclosure material / colour		PA6 / black-yellow
Dimension (DIN 43880)		1TE
Mounting on		35 mm DIN rail (EN 60715)

Order Data	
Produkt	MP 1x2 GDT+36V-Ad-Pg ST
Artikel-Nr	97 00 35

07.09.2023

We reserve the right to make alterations in style and form in line with technical development. The illustrations are non-binding. We do not assume liability for mistakes or printing errors. Copyright © LEUTRON GmbH 2020

Leutron GmbH, Gaußstr. 2 · D-70771 Leinfelden-Echterdingen · Tel. +49 (0) 711 94771-0 · [www.leutron.de](http://www.leutron.de)