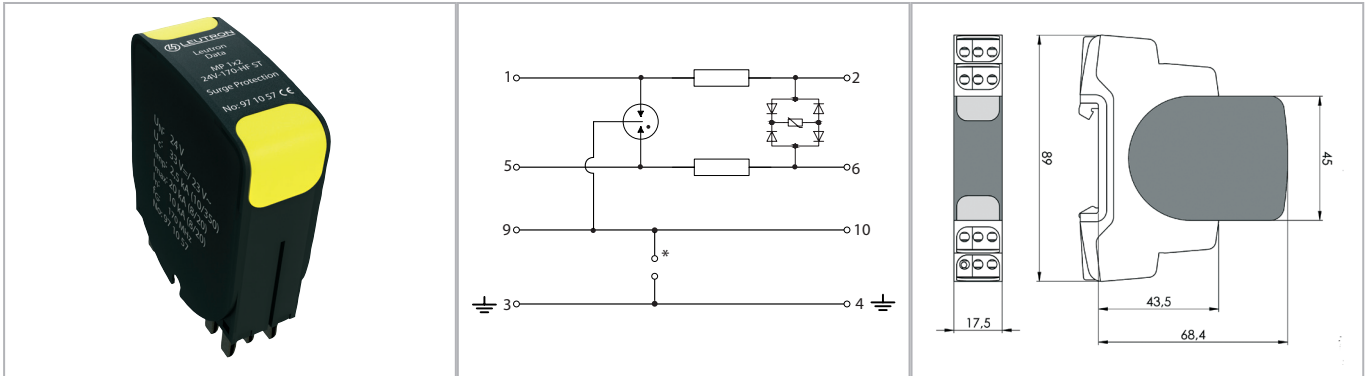


## Surge protection for measuring systems and automatic control devices

### Pluggable SPD for high frequency MCR applications



Fully pluggable two-parts arrester for signal lines for high frequency applications such as bus systems or video transmission. The protective module can be removed for test or maintenance purposes without changing the line impedance and therefore influencing the signal level. The base part can remain in the installation without manipulating or removing any wire.

- Max. frequency 170 MHz
- Rated load current: 1 A
- Protective circuit for 2 signal lines without reference to ground potential
- Protective plug can be removed without changing the line impedance or influencing the useful signal
- Test standard: IEC 61643-21 / EN 61643-21
- Vibration test standard: DIN EN 60068-2-6, IEC 60068-2-6
- Shock test standard: DIN EN 60068-2-27, IEC 60068-2-27
- Applicable at the boundaries LPZ 0B - 2 and higher
- Mounting on 35 mm DIN rail (EN 60715)
- Enclosure material: thermoplastic
- Space required for installation: 17.5 mm

Technical Data		MP 1x2 24V-170-HF ST
IEC category/EN type		D1 / C2 / C1 / C3
Nominal voltage DC	UN	24V=
Max. continuous operating voltage (DC/AC)	Uc	33/23 V
Nominal current	IL	1 A
D1 lightning impulse current (10/350) per line	Iimp	2,5 kA
C2 nominal discharge current (8/20 µs) total	I <sub>max</sub>	20 kA
C2 nominal discharge current (8/20 µs) per line	I <sub>n</sub>	10 kA
Protection level line-line at Iimp D1	Up	≤ 52 V
Protection level line-earth at Iimp D1	Up	≤ 350 V
Protection level line-line at 1 kV/µs C3	Up	≤ 45 V
Protection level line-Pg at 1 kV/µs C3	Up	≤ 450 V
Series resistance per line		1,5 Ω
Max. operating frequency (-3 dB)	fG	typ. 170 MHz
Conductor cross section (solid/stranded/AWG)		0.2-4.0/0.2-2.5 mm <sup>2</sup> / 24-12
Operating temperature range	TU	-40 - +80 °C
Inflammability class according to UL 94		V0
Degree of protection (IEC EN 60529)		IP 20
Enclosure material / colour		PA6 / black-yellow
Dimension (DIN 43880)		17.5 mm (1TE)
Mounting on		35 mm DIN rail (EN 60715)

Order Data	
Product	MP 1x2 24V-170-HF ST
Article-No.	97 10 57