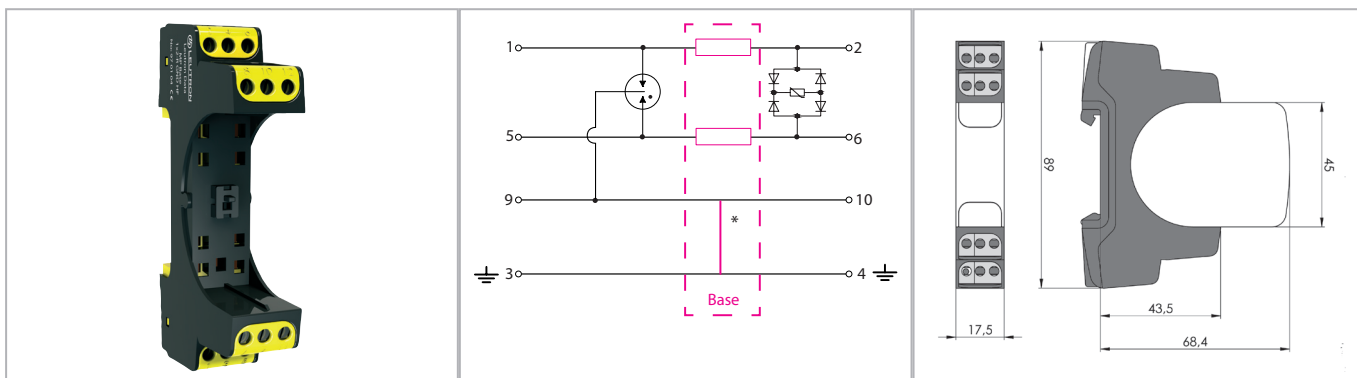


# Datasheet

## Surge protection for measuring systems and automatic control devices

### Base for: Pluggable SPD



#### For accepting a MP module.

Shield connectors 9/10 are fixed with DIN rail. No galvanic insulation to PE.

- Test standard: IEC 61643-21 / EN 61643-21
- Applicable at the boundaries LPZ 0B - 1 and higher
- Mounting on 35 mm DIN rail
- Enclosure material: thermoplastic with the colours yellow and black
- Space required for installation: 17.5 mm

Technical Data		MP Base 1x2-R GND HF
Series resistance per line		1,5 Ω
Nominal current	IL	1 A
Conductor cross section (solid/stranded/AWG)		0.2-4.0/0.2-2.5 mm <sup>2</sup> / 24-12
Operating temperature range	TU	-40 – +80 °C
Inflammability class according to UL 94		V0
Degree of protection (IEC EN 60529)		IP 20
Enclosure material / colour		PA6 / black-yellow
Installation width		17,5 mm
Mounting on		35 mm DIN rail (EN 60715)

Order Data	
Product	MP Base 1x2-R GND HF
Article-No.	97 01 04

Functional attribution for Modul:							
97 10 52	MP 1x2 5V-HF ST						
97 10 53	MP 1x2 24V-HF ST						
97 10 56	MP 1x2 5V-170-HF ST						
97 10 57	MP 1x2 24V-170-HF ST						