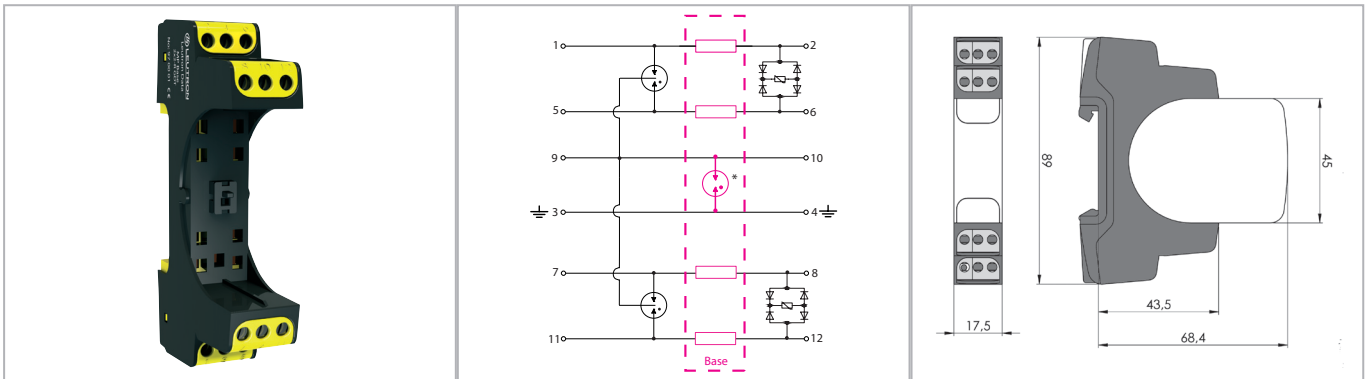


Datasheet

Surge protection for measuring systems and automatic control devices

Base for: Pluggable SPD



Indirect earthing of the signal shielding: The MP Base 2x2-R GDT HF has a gas discharge tube linked between the shield connectors 9/10 (GND) and the DIN rail and earth connector. Therefore a galvanic insulation between the signal shield and the earth connection (PE) can be reached. For accepting a MP module.

- Test standard: IEC 61643-21 / EN 61643-21
- Applicable at the boundaries LPZ 0B - 1 and higher
- Mounting on 35 mm DIN rail
- Enclosure material: thermoplastic with the colours yellow and black
- Space required for installation: 17.5 mm

Technical Data		MP Base 2x2-R GDT HF
IEC category/EN type		D1 / C2 / C1 / C3
Series resistance per line		1,5 Ω
Nominal current	IL	1 A
Conductor cross section (solid/stranded/AWG)		0.2-4.0/0.2-2.5 mm ² / 24-12
Operating temperature range	TU	-40 - +80 °C
Inflammability class according to UL 94		V0
Degree of protection (IEC EN 60529)		IP 20
Enclosure material / colour		PA6 / black-yellow
Dimension (DIN 43880)		1 TE
Mounting on		35 mm DIN rail (EN 60715)

Order Data	
Product	MP Base 2x2-R GDT HF
Article-No.	97 01 00

Functional attribution for Modul:							
97 10 50	MP 2x2 5V-HF ST						
97 10 51	MP 2x2 24V-HF ST						
97 10 54	MP 2x2 5V-170-HF ST						
97 10 55	MP 2x2 24V-170-HF ST						