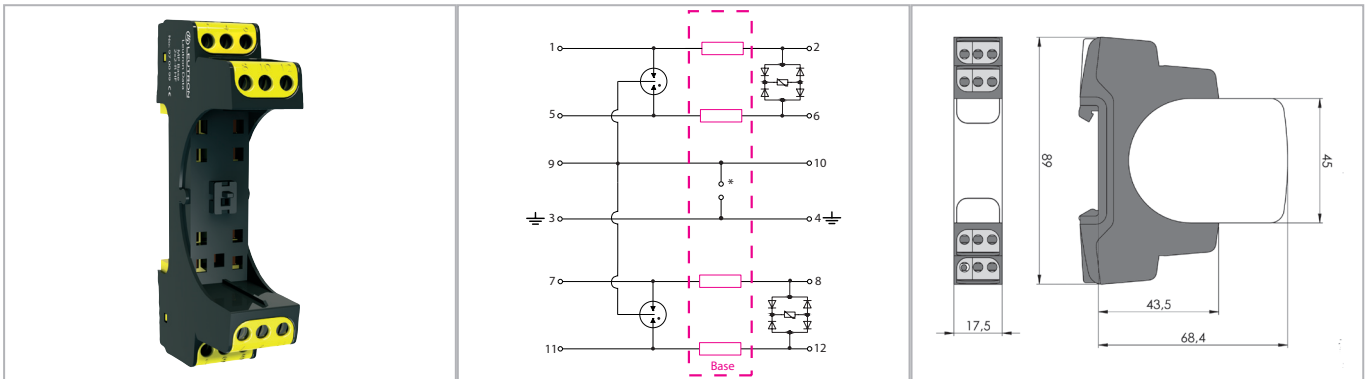


Datasheet

Surge protection for measuring systems and automatic control devices

Base for: Pluggable SPD



The MP Base 2x2-R HF is not connected to 9/10 of DIN rail linked: galvanic insulation PE.
For accepting a MP module.

- Test standard: IEC 61643-21 / EN 61643-21
- Applicable at the boundaries LPZ 0B - 1 and higher
- Mounting on 35 mm DIN rail
- Enclosure material: thermoplastic with the colours yellow and black
- Space required for installation: 17.5 mm

| Technical Data | | MP Base 2x2-R HF |
|--|----|---|
| IEC category/EN type | | D1 / C2 / C1 / C3 |
| Series resistance per line | | 1,5 Ω |
| Nominal current | IL | 1 A |
| Conductor cross section (solid/stranded/AWG) | | 0.2-4.0/0.2-2.5 mm ² / 24-12 |
| Operating temperature range | TU | -40 - +80 °C |
| Inflammability class according to UL 94 | | V0 |
| Degree of protection (IEC EN 60529) | | IP 20 |
| Enclosure material / colour | | PA6 / black-yellow |
| Dimension (DIN 43880) | | 1 TE |
| Mounting on | | 35 mm DIN rail (EN 60715) |

| Order Data | |
|-------------|------------------|
| Product | MP Base 2x2-R HF |
| Article-No. | 97 00 99 |

| Functional attribution for Modul: | | | | | | | |
|-----------------------------------|----------------------|--|--|--|--|--|--|
| 97 10 50 | MP 2x2 5V-HF ST | | | | | | |
| 97 10 51 | MP 2x2 24V-HF ST | | | | | | |
| 97 10 54 | MP 2x2 5V-170-HF ST | | | | | | |
| 97 10 55 | MP 2x2 24V-170-HF ST | | | | | | |
| | | | | | | | |
| | | | | | | | |