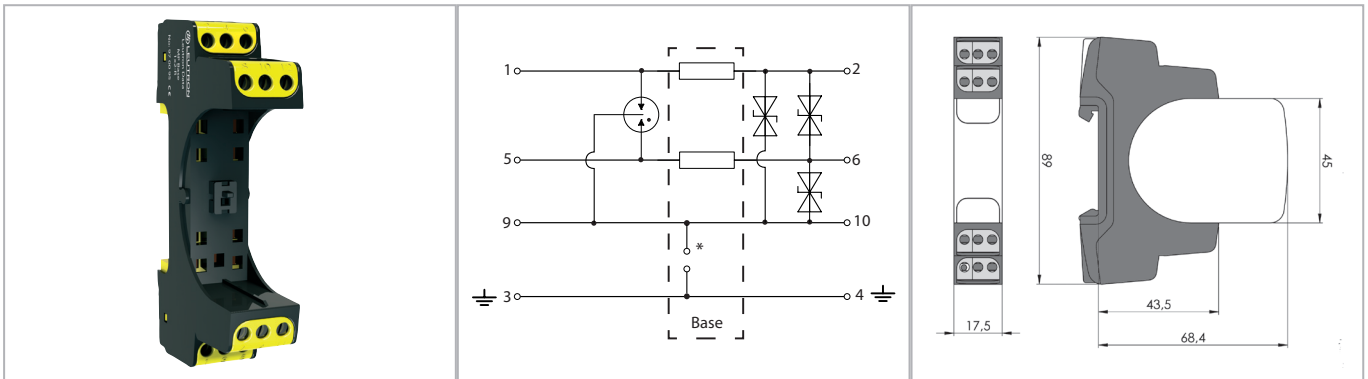


Datasheet

Surge protection for measuring systems and automatic control devices

Base for: Pluggable SPD



The MP Base 1x2-R is not connected to 9/10 of DIN rail linked (galvanic insulation).
For accepting a MP module.

- Test standard: IEC 61643-21 / EN 61643-21
- Applicable at the boundaries LPZ 0B - 1 and higher
- Mounting on 35 mm DIN rail
- Enclosure material: thermoplastic with the colours yellow and black
- Space required for installation: 17.5 mm

Technical Data		MP Base 1x2-R
Series resistance per line		2,2 Ω
Nominal current	IL	0,5 A
Conductor cross section (solid/stranded/AWG)		0.2-4.0/0.2-2.5 mm ² / 24-12
Operating temperature range	TU	-40 – +80 °C
Inflammability class according to UL 94		V0
Degree of protection (IEC EN 60529)		IP 20
Enclosure material / colour		PA6 / black-yellow
Installation width		17,5 mm
Mounting on		35 mm DIN rail (EN 60715)

Order Data	
Product	MP Base 1x2-R
Article-No.	97 00 95

Functional attribution for Modul							
97 00 18	MP 1x2 GDT+5V-Ad-Ad ST	97 00 32	MP 1x2 GDT+5V-Ad-Pg ST	97 00 46	MP 1x2 GDT+5V-Ad-Ad-Pg ST		
97 00 19	MP 1x2 GDT+12V-Ad-Ad ST	97 00 33	MP 1x2 GDT+12V-Ad-Pg ST	97 00 47	MP 1x2 GDT+12V-Ad-Ad-Pg ST		
97 00 20	MP 1x2 GDT+24V-Ad-Ad ST	97 00 34	MP 1x2 GDT+24V-Ad-Pg ST	97 00 48	MP 1x2 GDT+24V-Ad-Ad-Pg ST		
97 00 21	MP 1x2 GDT+36V-Ad-Ad ST	97 00 35	MP 1x2 GDT+36V-Ad-Pg ST	97 00 49	MP 1x2 GDT+36V-Ad-Ad-Pg ST		
97 00 22	MP 1x2 GDT+48V-Ad-Ad ST	97 00 36	MP 1x2 GDT+48V-Ad-Pg ST	97 00 50	MP 1x2 GDT+48V-Ad-Ad-Pg ST		
97 00 23	MP 1x2 GDT+60V-Ad-Ad ST	97 00 37	MP 1x2 GDT+60V-Ad-Pg ST	97 00 51	MP 1x2 GDT+60V-Ad-Ad-Pg ST		
97 00 24	MP 1x2 GDT+170V-Ad-Ad ST	97 00 38	MP 1x2 GDT+170V-Ad-Pg ST	97 00 52	MP 1x2 GDT+170V-Ad-Ad-Pg ST		