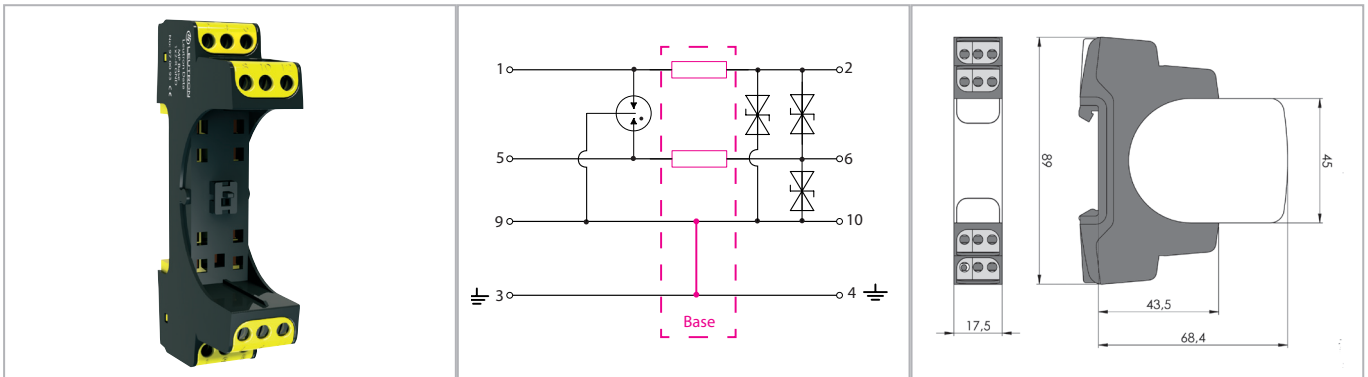


# Datasheet

## Surge protection for measuring systems and automatic control devices

### Base for: Pluggable SPD



#### For accepting a MP module.

Shield connectors 9/10 are fixed with DIN rail. No galvanic insulation to PE.

- **Test standard:** IEC 61643-21 / EN 61643-21
- **Applicable at the boundaries LPZ 0B - 1 and higher**
- **Mounting on 35 mm DIN rail**
- **Enclosure material:** thermoplastic with the colours yellow and black
- **Space required for installation: 17.5 mm**

Technical Data		MP Base 1x2-R GND
Series resistance per line		2,2 Ω
Nominal current	IL	0,5 A
Conductor cross section (solid/stranded/AWG)		0.2-4.0/0.2-2.5 mm <sup>2</sup> / 24-12
Operating temperature range	TU	-40 – +80 °C
Inflammability class according to UL 94		V0
Degree of protection (IEC EN 60529)		IP 20
Enclosure material / colour		PA6 / black-yellow
Installation width		17,5 mm
Mounting on		35 mm DIN rail (EN 60715)

Order Data	
Product	MP Base 1x2-R GND
Article-No.	97 00 93

Functional attribution for Modul:– Modul							
97 00 18	MP 1x2 GDT+5V-Ad-Ad ST	97 00 32	MP 1x2 GDT+5V-Ad-Pg ST	97 00 46	MP 1x2 GDT+5V-Ad-Ad-Pg ST		
97 00 19	MP 1x2 GDT+12V-Ad-Ad ST	97 00 33	MP 1x2 GDT+12V-Ad-Pg ST	97 00 47	MP 1x2 GDT+12V-Ad-Ad-Pg ST		
97 00 20	MP 1x2 GDT+24V-Ad-Ad ST	97 00 34	MP 1x2 GDT+24V-Ad-Pg ST	97 00 48	MP 1x2 GDT+24V-Ad-Ad-Pg ST		
97 00 21	MP 1x2 GDT+36V-Ad-Ad ST	97 00 35	MP 1x2 GDT+36V-Ad-Pg ST	97 00 49	MP 1x2 GDT+36V-Ad-Ad-Pg ST		
97 00 22	MP 1x2 GDT+48V-Ad-Ad ST	97 00 36	MP 1x2 GDT+48V-Ad-Pg ST	97 00 50	MP 1x2 GDT+48V-Ad-Ad-Pg ST		
97 00 23	MP 1x2 GDT+60V-Ad-Ad ST	97 00 37	MP 1x2 GDT+60V-Ad-Pg ST	97 00 51	MP 1x2 GDT+60V-Ad-Ad-Pg ST		
97 00 24	MP 1x2 GDT+170V-Ad-Ad ST	97 00 38	MP 1x2 GDT+170V-Ad-Pg ST	97 00 52	MP 1x2 GDT+170V-Ad-Ad-Pg ST		