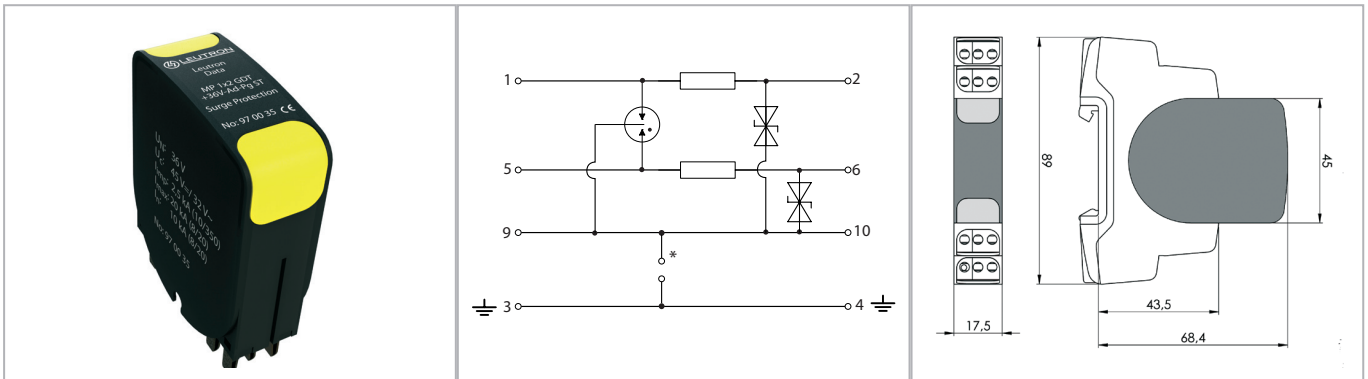


## Surge protection for measuring systems and automatic control devices

### Pluggable SPD with high discharge capability and low protection level for MCR applications



**Fully pluggable two-parts arrester for signal lines. The protective module can be removed for test or maintenance purposes without changing the line impedance and therefore influencing the signal level. The base part can remain in the installation without manipulating or removing any wire.**

- Protective circuit for 4 signal lines with common ground
- Protective plug can be removed without changing the line impedance or influencing the useful signal
- Test standard: IEC 61643-21 / EN 61643-21
- Vibration test standard: DIN EN 60068-2-6, IEC 60068-2-6
- Shock test standard: DIN EN 60068-2-27, IEC 60068-2-27
- Applicable at the boundaries LPZ 0B - 1 and higher
- Mounting on 35 mm DIN rail (EN 60715)
- Enclosure material: thermoplastic
- Space required for installation: 17.5 mm

Technical Data		MP 1x2 GDT+36V-Ad-Pg ST
IEC category/EN type		D1 / C2 / C1 / C3
Nominal voltage DC	UN	36V=
Max. continuous operating voltage (DC/AC)	Uc	45/32V
Nominal current	IL	0,5 A
D1 lightning impulse current (10/350) per line	limp	2,5 kA
C2 nominal discharge current (8/20 μs) total	Imax	20 kA
C2 nominal discharge current (8/20 μs) per line	In	10 kA
Protection level line-line at limp D1	Up	≤ 135V
Protection level line-earth at limp D1	Up	≤ 85V
Protection level line-line at 1 kV/μs C3	Up	≤ 116V
Protection level line-Pg at 1 kV/μs C3	Up	≤ 58V
Series resistance per line		2,2 Ω
Max. operating frequency (-3 dB)	fG	typ. 8,0 MHz
Conductor cross section (solid/stranded/AWG)		0.2-4.0/0.2-2.5 mm <sup>2</sup> / 24-12
Operating temperature range	TU	-40 - +80 °C
Inflammability class according to UL 94		V0
Degree of protection (IEC EN 60529)		IP 20
Enclosure material / colour		PA6 / black-yellow
Dimension (DIN 43880)		17.5 mm (1TE)
Mounting on		35 mm DIN rail (EN 60715)

Order Data	
Product	MP 1x2 GDT+36V-Ad-Pg ST
Article-No.	97 00 35