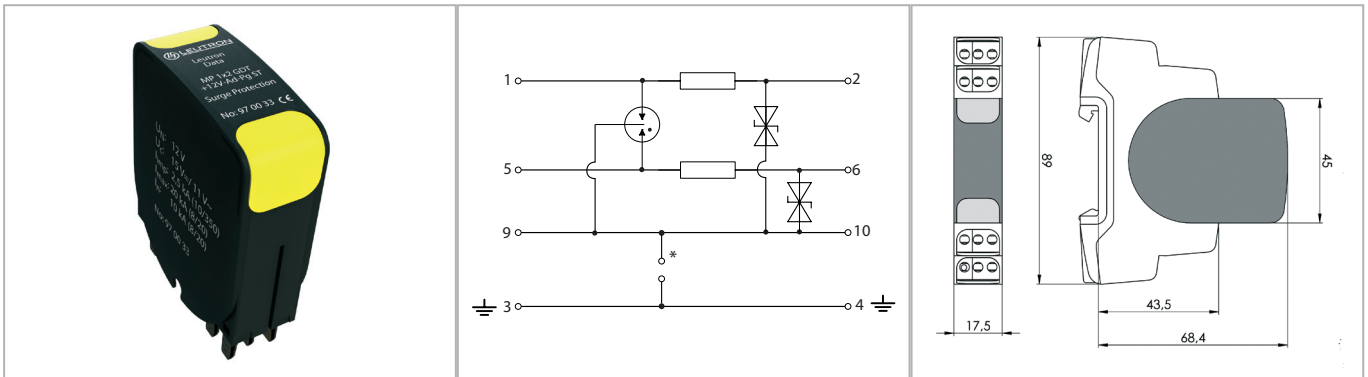


Datasheet

Surge protection for measuring systems and automatic control devices

Pluggable SPD with high discharge capability and low protection level for MCR applications



Fully pluggable two-parts arrester for signal lines. The protective module can be removed for test or maintenance purposes without changing the line impedance and therefore influencing the signal level. The base part can remain in the installation without manipulating or removing any wire.

- Protective circuit for 4 signal lines with common ground
- Protective plug can be removed without changing the line impedance or influencing the useful signal
- Test standard: IEC 61643-21 / EN 61643-21
- Vibration test standard: DIN EN 60068-2-6, IEC 60068-2-6
- Shock test standard: DIN EN 60068-2-27, IEC 60068-2-27
- Applicable at the boundaries LPZ OB - 1 and higher
- Mounting on 35 mm DIN rail (EN 60715)
- Enclosure material: thermoplastic
- Space required for installation: 17.5 mm

| Technical Data | | MP 1x2 GDT+12V-Ad-Pg ST |
|---|------|---|
| IEC category/EN type | | D1 / C2 / C1 / C3 |
| Nominal voltage DC | UN | 12V= |
| Max. continuous operating voltage (DC/AC) | Uc | 15/11 V |
| Nominal current | IL | 0,5 A |
| D1 lightning impulse current (10/350) per line | limp | 2,5 kA |
| C2 nominal discharge current (8/20 µs) total | Imax | 20 kA |
| C2 nominal discharge current (8/20 µs) per line | In | 10 kA |
| Protection level line-line at limp D1 | Up | ≤ 50 V |
| Protection level line-earth at limp D1 | Up | ≤ 37 V |
| Protection level line-line at 1 kV/µs C3 | Up | ≤ 38 V |
| Protection level line-Pg at 1 kV/µs C3 | Up | ≤ 19 V |
| Series resistance per line | | 2,2 Ω |
| Max. operating frequency (-3 dB) | fG | typ. 3,0 MHz |
| Conductor cross section (solid/stranded/AWG) | | 0.2-4.0/0.2-2.5 mm ² / 24-12 |
| Operating temperature range | TU | -40 - +80 °C |
| Inflammability class according to UL 94 | | V0 |
| Degree of protection (IEC EN 60529) | | IP 20 |
| Enclosure material / colour | | PA6 / black-yellow |
| Dimension (DIN 43880) | | 17.5 mm (1TE) |
| Mounting on | | 35 mm DIN rail (EN 60715) |

| Order Data | |
|-------------|-------------------------|
| Product | MP 1x2 GDT+12V-Ad-Pg ST |
| Article-No. | 97 00 33 |