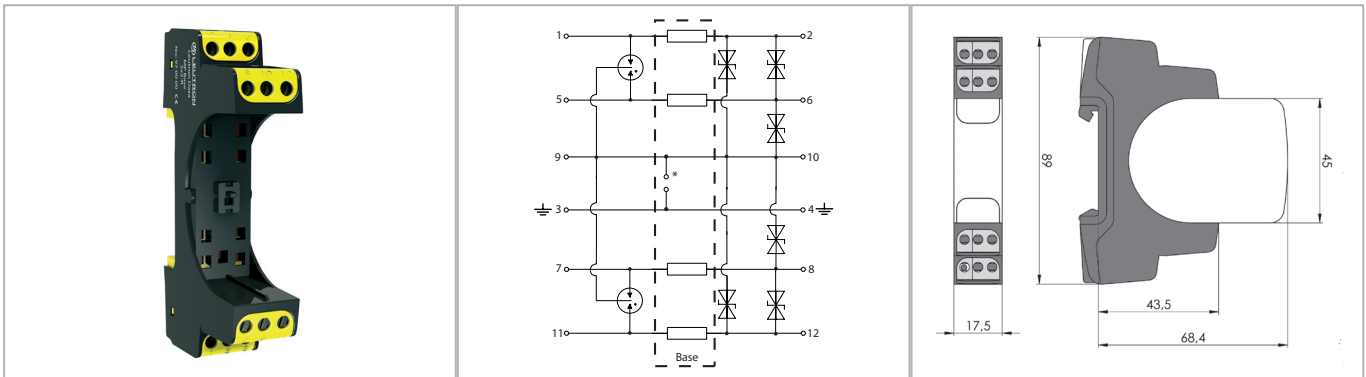


Datasheet

Surge protection for measuring systems and automatic control devices

Base for: Pluggable SPD



The MP Base 2x2-R is not connected to 9/10 of DIN rail linked (galvanic insulation).
For accepting a MP module.

- Test standard: IEC 61643-21 / EN 61643-21
- Applicable at the boundaries LPZ 0B - 1 and higher
- Mounting on 35 mm DIN rail
- Enclosure material: thermoplastic with the colours yellow and black
- Space required for installation: 17.5 mm

Technical Data		MP Base 2x2-R
IEC category/EN type		D1 / C2 / C1 / C3
Series resistance per line		2,2 Ω
Nominal current	IL	0,5 A
Conductor cross section (solid/stranded/AWG)		0.2-4.0/0.2-2.5 mm ² / 24-12
Operating temperature range	TU	-40 - +80 °C
Inflammability class according to UL 94		V0
Degree of protection (IEC EN 60529)		IP 20
Enclosure material / colour		PA6 / black-yellow
Dimension (DIN 43880)		1 TE
Mounting on		35 mm DIN rail (EN 60715)

Order Data	
Product	MP Base 2x2-R
Article-No.	97 00 00

Functional attribution for Modul:						
97 00 11	MP 2x2 GDT+5V-Ad-Ad ST	97 00 25	MP 2x2 GDT+5V-Ad-Pg ST	97 00 39	MP 2x2 GDT+5V-Ad-Ad-Pg ST	
97 00 12	MP 2x2 GDT+12V-Ad-Ad ST	97 00 26	MP 2x2 GDT+12V-Ad-Pg ST	97 00 40	MP 2x2 GDT+12V-Ad-Ad-Pg ST	
97 00 13	MP 2x2 GDT+24V-Ad-Ad ST	97 00 27	MP 2x2 GDT+24V-Ad-Pg ST	97 00 41	MP 2x2 GDT+24V-Ad-Ad-Pg ST	
97 00 14	MP 2x2 GDT+36V-Ad-Ad ST	97 00 28	MP 2x2 GDT+36V-Ad-Pg ST	97 00 42	MP 2x2 GDT+36V-Ad-Ad-Pg ST	
97 00 15	MP 2x2 GDT+48V-Ad-Ad ST	97 00 29	MP 2x2 GDT+48V-Ad-Pg ST	97 00 43	MP 2x2 GDT+48V-Ad-Ad-Pg ST	
97 00 16	MP 2x2 GDT+60V-Ad-Ad ST	97 00 30	MP 2x2 GDT+60V-Ad-Pg ST	97 00 44	MP 2x2 GDT+60V-Ad-Ad-Pg ST	
97 00 17	MP 2x2 GDT+170V-Ad-Ad ST	97 00 31	MP 2x2 GDT+170V-Ad-Pg ST	97 00 45	MP 2x2 GDT+170V-Ad-Ad-Pg ST	