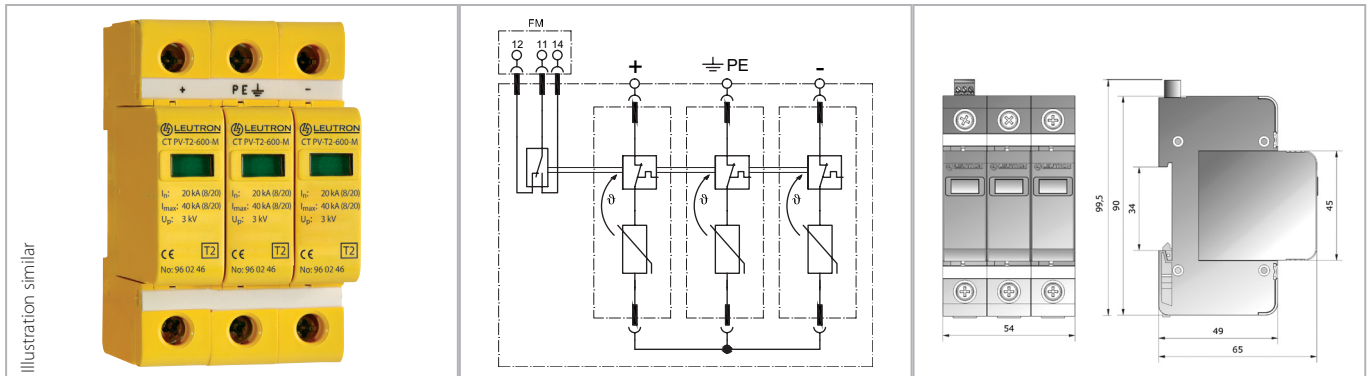


Surge protection of power supply

Surge arresters for Photovoltaic Installations



Fully pluggable surge protective arrester for the use in photovoltaic applications. Suitable for insulated and earthed photovoltaic applications with system voltages up to 600 or 1000 V DC.

- Applicable at the boundaries LPZ OB - 1 and higher
- Test standard: IEC 61643-11 / EN 61643-11
- Vibration test standard: DIN EN 60068-2-6, IEC 60068-2-6
- Shock test standard: DIN EN 60068-2-27, IEC 60068-2-27
- Mounting on 35 mm DIN rail (EN 60715)
- Degree of protection according to IEC EN 60529: IP 20
- Space required for installation: 54 mm
- With remote changeover contact
- Inflammability class according to UL 97 V0
- EAC certification

Technical Data		CT PV-T2/2+1/600-FM
IEC category		Type 2 / class II
Open-circuit voltage	UOC max.	≤ 600 V=
Max. continuous operating voltage DC	Uc	600 V=
Max. short-circuit current	ISC max.	tbd.
Nominal discharge current (8/20 μs)	In	20 kA
Max. impulse discharge current (8/20 μs)	Imax	40 kA
Protection Level L+-L-	Up	3 kV
Protection level L+/L- -PE	Up	3 kV
Operating temperature range	TU	-40 - +80 °C
Min. conductor cross section at terminals		1.5 mm ² solid/flexible
Max. conductor cross section		35 mm ² stranded/25 mm ² flexible
Dimension (DIN 43880)		3TE
Max. operating voltage remote contact FM		250 V AC/125 V DC
Max. operating current remote contact		1 A AC/200 mA DC
Max. conductor cross section FM		1,5 mm ²
Max. locking torque FM terminals		0,25 Nm

Order Data	
Product	CT PV-T2/2+1/600-FM
Article-No.	96 02 25