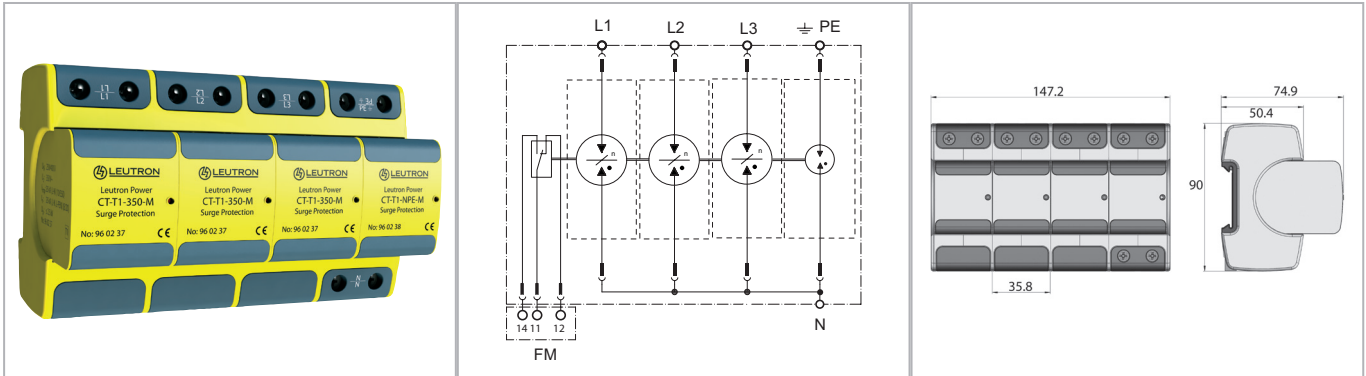


## Surge protection of power supply

### Lightning current arrester Type 1 for AC power supplies / CT Series



Lightning current discharge arrester (class I) with rare-gas-filled spark gap for the use in three-phase TT and TN-S systems. They provide extremely high discharge capacity with at the same time very low protection levels and they also do not need any damageable internal or external electronic trigger.

- Applicable at the boundaries LPZ 0A - 1
- Test standard: IEC 61643-11 / EN 61643-11
- Vibration test standard: DIN EN 60068-2-6, IEC 60068-2-6
- Shock test standard: DIN EN 60068-2-27, IEC 60068-2-27
- Mounting on 35 mm DIN rail (EN 60715)
- Enclosure material: thermoplastic with the colors yellow and black
- Degree of protection according to IEC EN 60529: IP 20
- Inflammability class according to UL 94 V0
- No leakage currents, thus, allowing installation upstream of power meters
- Optical status indication (red pin appears)
- Single modules can be replaced easily
- Remote changeover contact
- Max. operating voltage remote contact: 250 V AC/125 V DC
- Max. operating current remote contact: 1 A AC/200 mA DC
- EAC certification

Technical Data		CT-T1/3+1-350-FM
IEC category		Type 1
Nominal voltage AC	UN	230/400 V~
Max. continuous operating voltage AC (50/60 Hz)	Uc	350 V~
Lightning impulse current (10/350 µs) total	I <sub>total</sub>	100 kA
Lightning impulse current (10/350 µs) L-N/N-PE/L-PEN	I <sub>imp</sub>	25 / 100 / - kA
Nominal discharge current (8/20 µs) L-N/N-PE/L-PEN	I <sub>n</sub>	25 / 100 / - kA
Protection level	U <sub>p</sub>	≤ 2,5 kV
Follow-on current extinguishing capability AC L-N (260 V AC)	I <sub>fi</sub>	10 kA <sub>eff</sub>
Follow-on current extinguishing capability AC N-PE	I <sub>fi</sub>	100 A <sub>eff</sub>
Short-circuit withstand capability at max. back-up fuse	ISCCR	50 kA <sub>eff</sub>
Max. acceptable backup fuse (branch wiring)		250 A gG
Max. acceptable backup fuse (V-type through wiring)		125 A gG
Operating temperature range	TU	-40 - +80 °C
Min. conductor cross section at terminals		10 mm <sup>2</sup> solid/flexible
Max. conductor cross section		50 mm <sup>2</sup> stranded/35 mm <sup>2</sup> flexible
Recommended conductor cross section		25 mm <sup>2</sup>
Max. connection torque for terminals		4,0 Nm
Power supply system		3 phase TNS and TT systems
Composed of: number of moduls		3x 96 02 37 + 1x 96 02 38
Installation width		147,2 mm

Order Data	
Product	CT-T1/3+1-350-FM
Article-No.	96 02 07