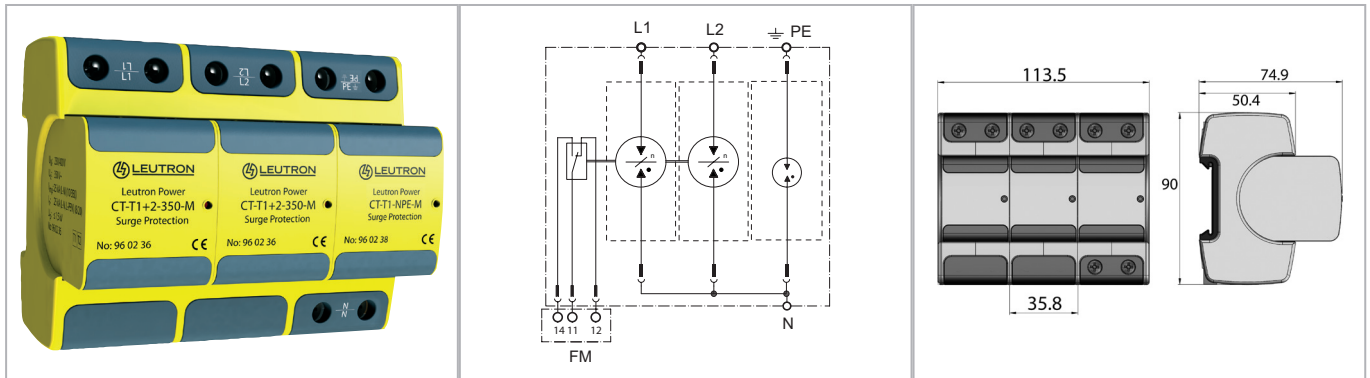


Surge protection of power supply

Combined arrester type 1 + 2 for AC power supplies / CT series



Lightning current discharge arrester with rare-gas-filled spark gap and very low protection level < 1.5 kV for the use in 2-phase TT systems. They provide extremely high discharge capacity with at the same time very low protection levels and they also do not need any damageable internal or external electronic trigger.

- Test standard: IEC 61643-11 / EN 61643-11
- Mounting on 35 mm DIN rail (EN 60715)
- Enclosure material: thermoplastic with the colors yellow and black
- Degree of protection according to IEC EN 60529: IP 20
- Inflammability class according to UL 94 V0
- No leakage currents, thus, allowing installation upstream of power meters
- Vibration test standard: DIN EN 60068-2-6, IEC 60068-2-6
- Shock test standard: DIN EN 60068-2-27, IEC 60068-2-27
- Optical status indication (red pin appears)
- Single modules can be replaced easily
- Remote changeover contact
- Max. operating voltage remote contact: 250 V AC/125 V DC
- EAC certification

Technical Data		CT-T1+2/2+1-350-FM
IEC category		Type 1 + 2 / class I+II
Nominal voltage AC	UN	230/400 V~
Max. continuous operating voltage AC (50/60 Hz)	Uc	350 V~
Lightning impulse current (10/350 µs) total	I _{total}	100 kA
Lightning impulse current (10/350 µs) L-N/N-PE/L-PEN	I _{imp}	25 / 100 / - kA
Nominal discharge current (8/20 µs) L-N/N-PE/L-PEN	I _n	25 / 100 / - kA
Protection level	U _p	≤ 1,5 kV
Follow-on current extinguishing capability AC L-N (260 V AC)	I _{fi}	4 kA _{eff}
Short-circuit withstand capability at max. back-up fuse	ISCCR	50 kA _{eff}
Max. acceptable backup fuse (branch wiring)		250 A gG
Max. acceptable backup fuse (V-type through wiring)		125 A gG
Operating temperature range	TU	-40 - +80 °C
Min. conductor cross section at terminals		10 mm ² solid/flexible
Max. conductor cross section		50 mm ² stranded/35 mm ² flexible
Recommended conductor cross section		25 mm ²
Max. connection torque for terminals		4,0 Nm
Power supply system		2 phase TT system
Composed of: number of moduls		2x 96 02 36 + 1x 96 02 38
Installation width		113,5 mm
Max. operating current remote contact FM		1 A AC/200 mA DC

Order Data	
Product	CT-T1+2/2+1-350-FM
Article-No.	96 00 05