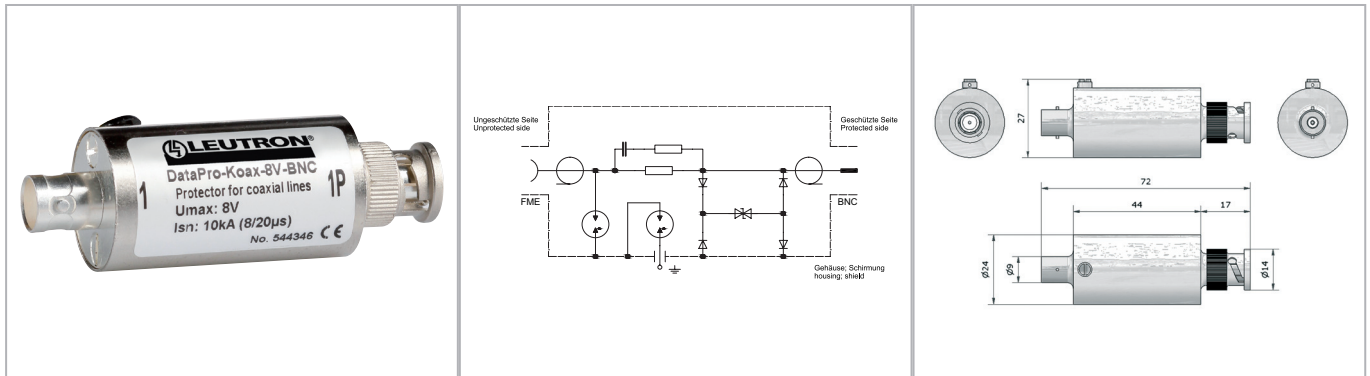


Datasheet

Surge protection for transmitting and receiving systems

SPD with BNC connector



Lightning and surge protection for coaxial signal lines with BNC connector for the use at the building entry.

- High performance surge protector
- Applicable at the building entry at the boundaries LPZ 0A-1 and higher
- For video surveillance cameras
- Connector according to IEC 61169-8
- Grounding via connected earthing wire 0.75 mm², L=ca.30 mm
- Test standard: IEC 61643-21 / EN 61643-21

Technical Data		DataPro Koax-8V-BNC
IEC category		D1 / C2 / C1 / C3
Max. continuous operating voltage DC	Uc	8V=
Max. power		0,7 W
Longitudinal impedance (DC resistance) per wire	Z	10 Ω
Surge impedance	Z	50 Ω
Response time fine protection	tA	≤ 2 ns
C2 nominal discharge current (8/20 µs)	In	5 kA
Max. impulse discharge current (8/20 µs)	Imax	10 kA
D1 lightning impulse current (10/350 µs)	Iimp	1 kA
C2 protection level line-shield at In	Up	≤ 20 V
C3 protection level line-shield at 1 kV/µs	Up	≤ 13 V
C3 protection level line-shield-PE at 1 kV/µs	Up	≤ 600 V
Frequency range	f0	0 - 60 MHz
Return loss	RL	at 40 kHz: > 20 dB
Operating temperature range	TU	- 25 - +85 °C
Degree of protection (IEC EN 60529)		IP 20
Plug connector		BNC (m/f)

Order Data	
Product	DataPro Koax-8V-BNC
Article-No.	54 43 46