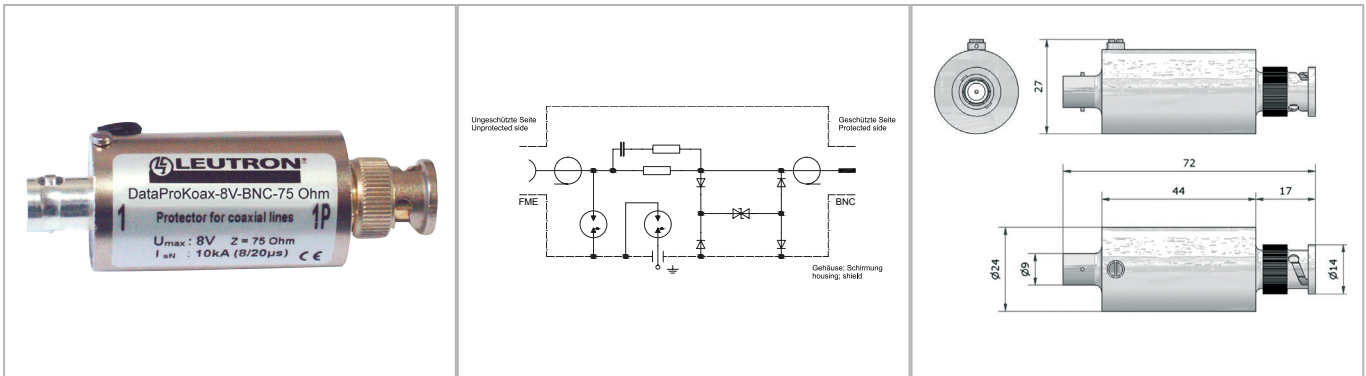


# Datasheet

## Surge protection for transmitting and receiving systems

### SPD with BNC connector



**Lightning and surge protection for coaxial signal lines with BNC connector for the use at the building entry.**

- High performance surge protector
- Applicable at the building entry at the boundaries LPZ 0A-1 and higher
- For video surveillance cameras
- Connector according to IEC 61169-8
- Grounding via connected earthing wire 0.75 mm<sup>2</sup>, L= ca. 30 mm
- Test standard: IEC 61643-21 / EN 61643-21

Technical Data		DataPro Koax-8V-BNC-75 Ohm
IEC category		D1 / C2 / C1 / C3
Max. continuous operating voltage DC	U <sub>c</sub>	8 V=
Max. power		0,7 W
Longitudinal impedance (DC resistance) per wire	Z	10 Ω
Surge impedance	Z	75 Ω
Response time fine protection	t <sub>A</sub>	≤ 2 ns
C2 nominal discharge current (8/20 μs)	I <sub>n</sub>	5 kA
Max. impulse discharge current (8/20 μs)	I <sub>max</sub>	10 kA
D1 lightning impulse current (10/350 μs)	I <sub>imp</sub>	1 kA
C2 protection level line-shield at I <sub>n</sub>	U <sub>p</sub>	≤ 20 V
C3 protection level line-shield at 1 kV/μs	U <sub>p</sub>	≤ 13 V
C3 protection level line-shield-PE at 1 kV/μs	U <sub>p</sub>	≤ 600 V
Frequency range	f <sub>0</sub>	0 - 60 MHz
Return loss (>20 dB)		40 kHz
Operating temperature range	TU	-25 - +85 °C
Degree of protection (IEC EN 60529)		IP 20
Plug connector		BNC (m/f)

Order Data	
Product	DataPro Koax-8V-BNC-75 Ohm
Article-No.	54 43 40