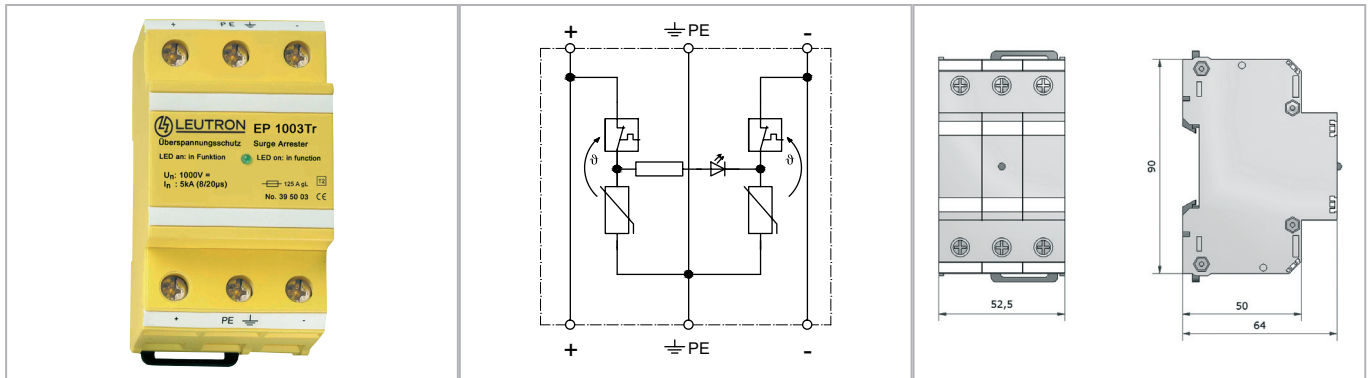


Datasheet

Surge protection of power supply

Surge arresters for Photovoltaic Installations



When used in PV-installations, they are installed in the generator connection box and on the DC side of the AC converter. Surge arrester for PV installations, with looped-in wiring.

- Function control indication via LED
- Mounting on 35 mm DIN rail (EN 60715)
- Degree of protection according to IEC EN 60529: IP 20
- EAC certification
- Inflammability class according to UL 94 V0

Technical Data		EP 1003Tr
IEC category		Type 2 / class II
PV voltage	UocSTC	1000 V=
Max. continuous operating voltage DC	Uc	1000 V=
Protection level at In (8/20 μs)	Up	≤ 3,5 kV
Protection level at 5 kA	Up	≤ 3,5 kV
Response time	tA	≤ 25 ns
Nominal discharge current (8/20 μs)	In	5 kA
Max. impulse discharge current (8/20 μs) line to PE	Imax	10 kA
Max. allowed fuse or back-up fuse		125 A gG
Operating temperature range	TU	-40 - +80 °C
Min. conductor cross section at terminals		2,5 mm ² flexible
Max. conductor cross section		50 mm ² stranded/35 mm ² flexible
Max. connection torque for terminals		4,0 Nm
Casting compound		Polyurethane
Enclosure material / colour		polycarbonate (halogen-free) UL 94-V0 / yellow
Degree of protection (IEC EN 60529)		IP 20
Mounting on		35 mm DIN rail (DIN EN 60715)

Order Data

Product	EP 1003Tr
Article-No.	39 50 03