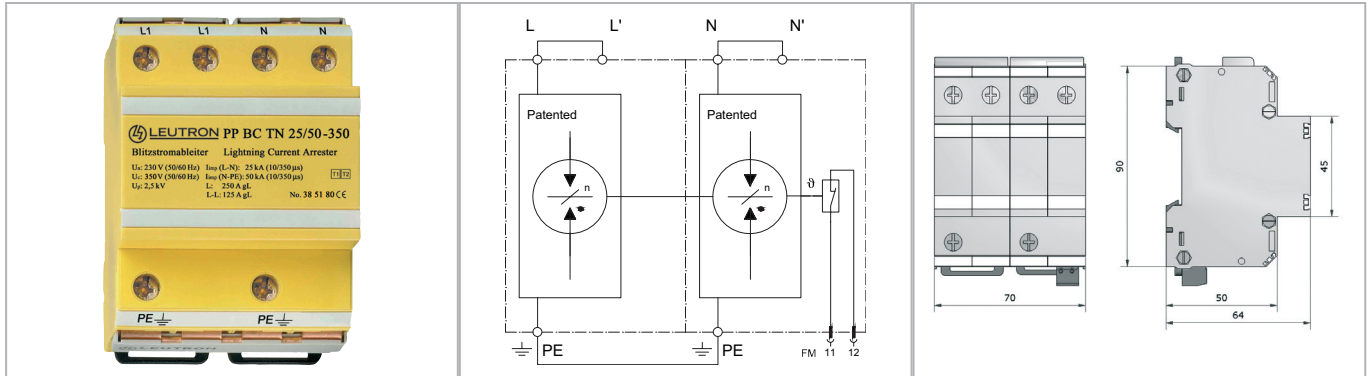


# Datasheet

## Surge protection of power supply

### Combined arrester type 1 + 2 for AC power supplies / PowerPro



Combined multi-pole arrester for 1-phase TN systems.

- Test standard: IEC 61643-11 / EN 61643-11
- Class I+II (T1+T2) Combined Arresters
- Remote signalling contact: break contact
- No leakage currents, thus, allowing installation upstream of power meters
- High TOV resistance
- Operates independently of atmospheric air pressure and ambient humidity
- Mounting on 35 mm DIN rail (EN 60715)
- Degree of protection according to IEC EN 60529: IP 20
- EAC certification

Technical Data	PP BC TN 25/50/FM-350	
IEC category		Type 1 + 2 / class I+II
Nominal voltage AC	UN	230/400 V~
Max. continuous operating voltage AC (50/60Hz)	Uc	350 V~
Insulation resistance	Risol	> 10 GΩ
Protection level at 100% lightn. imp. sparkover voltage (1.2/50μs)	Up	≤ 2,5 kV
Protection level	Up	≤ 2,5 kV
Response time	tA	< 50 ns
Lightning impulse current (10/350μs) total	I <sub>total</sub>	50 kA
Lightning impulse current (10/350μs) L-N/N-PE/L-PEN	I <sub>imp</sub>	25 / 25 / - kA
Follow-on current extinguishing capability at U <sub>c</sub> (50/60 Hz)	I <sub>fi</sub>	4 kA
Short-circuit withstand capability at max. back-up fuse	I <sub>k</sub>	50 kA <sub>eff</sub>
Max. acceptable back-up fuse F2 (spur wiring)		250 A gG
Max. acceptable back-up fuse F1 (serial wiring)		125 A gG
Operating temperature range	TU	-40 - +80 °C
Max. conductor cross section		50mm <sup>2</sup> stranded/35mm <sup>2</sup> flexible
Recommended conductor cross section		25 mm <sup>2</sup>
Max. connection torque for terminals		4,0 Nm
Enclosure material / colour		polycarbonate (halogen-free) UL 94-V0 / yellow
Switching capacity FM		250 V/2 A
Max. conductor cross section FM		1,5 mm <sup>2</sup>

### Order Data

Product	PP BC TN 25/50/FM-350
Article-No.	38 51 90