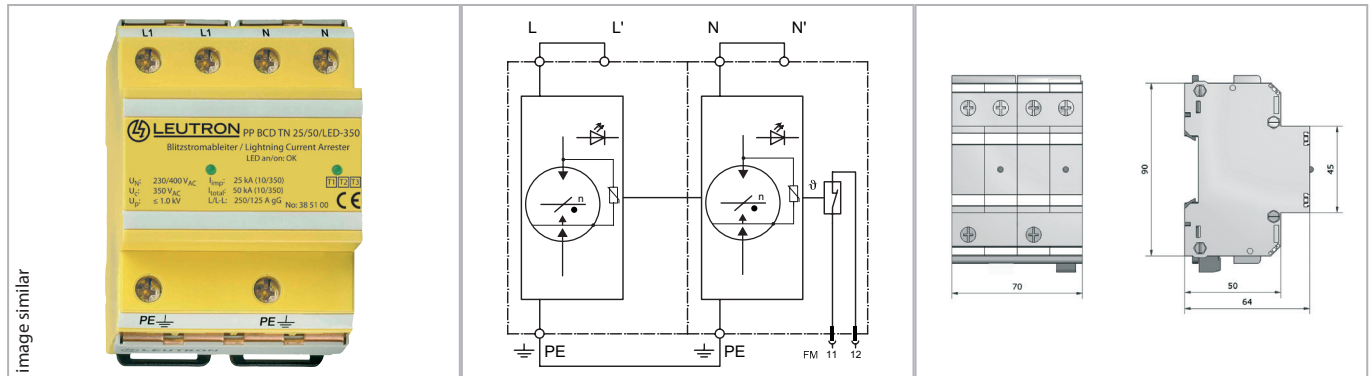


Datasheet

Surge protection of power supply

Combined arrester type 1 + 2 + 3 for AC power supplies / PowerPro



Combined multi-pole arrester for 1-phase TN systems. With two green LED (function control).

- Test standard: IEC 61643-11 / EN 61643-11
- Combined Arresters Class I+II+III (T1+T2+T3)
- Rare-gas-filled spark gap, hermetically sealed
- Serial wiring with multi-functional terminals
- High TOV resistance
- With remote signalling contact (FM)
- Operates independently of atmospheric air pressure and ambient humidity
- EAC certification
- Not leakage current free

Technical Data		PP BCD TN 25/50/LED/FM-350
IEC category		Type 1 + 2 + 3 / class I+II+III
Nominal voltage AC	UN	230/400 V~
Max. continuous operating voltage AC (50/60 Hz)	Uc	350 V~
Insulation resistance	Risol	> 10 GΩ
Protection level at 100% lightning imp. sparkover voltage (1.2/50μs)	Up	≤ 1,0 kV
Protection level	Up	≤ 1,0 kV
Response time	tA	< 50 ns
Lightning impulse current (10/350 μs) total	I _{total}	50 kA
Lightning impulse current (10/350 μs) L-N/N-PE/L-PEN	I _{imp}	- / 25 / - kA
Follow-on current extinguishing capability at U _c (50/60 Hz)	I _{fi}	4,0 kA
Short-circuit withstand capability at max. back-up fuse	I _{lk}	50 kA _{eff}
Max. acceptable back-up fuse F2 (spur wiring)		250 A gG
Max. acceptable back-up fuse F1 (serial wiring)		125 A gG
Operating temperature range	TU	-40 - +80 °C
Max. conductor cross section		stranded 50/fine stranded 35 mm ²
Recommended conductor cross section		25 mm ²
Max. connection torque for terminals		4,0 Nm
Enclosure material / colour		polycarbonate (halogen-free) UL 94-V0 / yellow
Degree of protection (IEC EN 60529)		IP 20
Mounting on		35 mm DIN rail (DIN EN 60715)

Order Data

Product	PP BCD TN 25/50/LED/FM-350
Article-No.	38 51 10