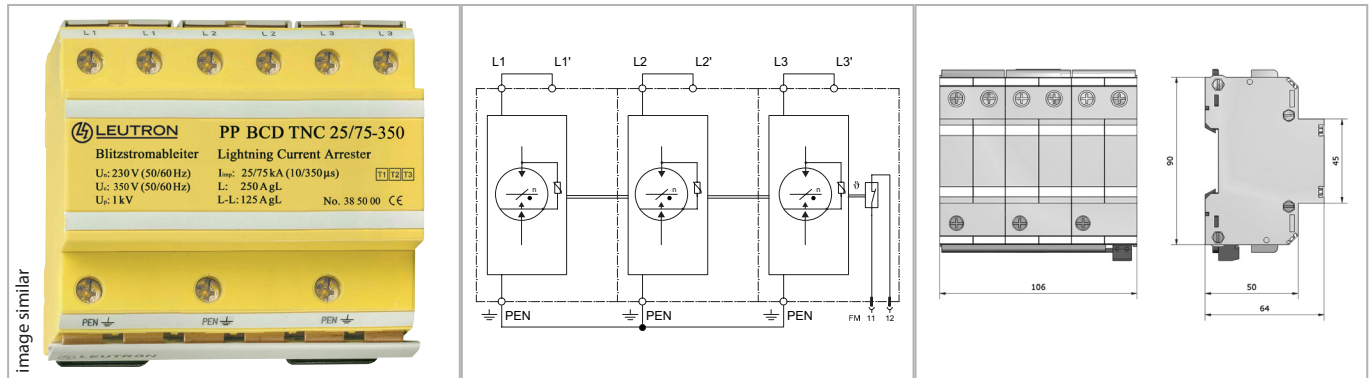


Surge protection of power supply

Combined arrester type 1 + 2 + 3 for AC power supplies / PowerPro



Combined multi-pole arrester for 3-phase TN-C systems. The installation place of the PowerPro BCD is the main distribution board upstream or downstream of the power meter. According to the lightning protection zones concept in IEC DIN EN 62305 part 1-4 (VDE 0185-305-1-4), it can universally be installed at the transition 0A to 2.

- Test standard: IEC 61643-11 / EN 61643-11
- Type 1 + 2 + 3 / class I+II+III
- No leakage currents, thus, allowing installation upstream of power meters
- Rare-gas-filled spark gap, hermetically sealed
- High quenching of follow-on short-circuit currents
- High insulation resistance Risol: $\geq 1 \text{ G}\Omega$
- High TOV resistance
- Remote signalling contact: break contact
- EAC certification

Technical Data		PP BCD TNC 25/75/FM-350
IEC category		Type 1 + 2 + 3 / class I+II+III
Nominal voltage AC	UN	230/400 V~
Max. continuous operating voltage AC (50/60 Hz)	Uc	350 V~
Insulation resistance	Risol	$> 10 \text{ G}\Omega$
Protection level at 100% lightn. imp. sparkover voltage (1.2/50µs)	Up	$\leq 1,0 \text{ kV}$
Protection level	Up	$\leq 1,0 \text{ kV}$
Response time	tA	$< 50 \text{ ns}$
Lightning impulse current (10/350 µs) total	I _{total}	75 kA
Lightning impulse current (10/350 µs) L-N/N-PE/L-PEN	I _{imp}	- / - / 25 kA
Short-circuit withstand capability at max. back-up fuse	I _k	4,0 kA _{eff}
Max. acceptable back-up fuse F2 (spur wiring)		250 A gG
Max. acceptable back-up fuse F1 (serial wiring)		125 A gG
Operating temperature range	TU	-40 - +80 °C
Max. conductor cross section		stranded 50/fine stranded 35 mm ²
Recommended conductor cross section		25 mm ²
Max. connection torque for terminals		4,0 Nm
Enclosure material / colour		polycarbonate (halogen-free) UL 94-V0 / yellow
FM contact / contact type		break contact
Switching capacity FM		250 V/2 A
Max. conductor cross section FM		1,5 mm ²

Order Data

Product	PP BCD TNC 25/75/FM-350
Article-No.	38 50 10