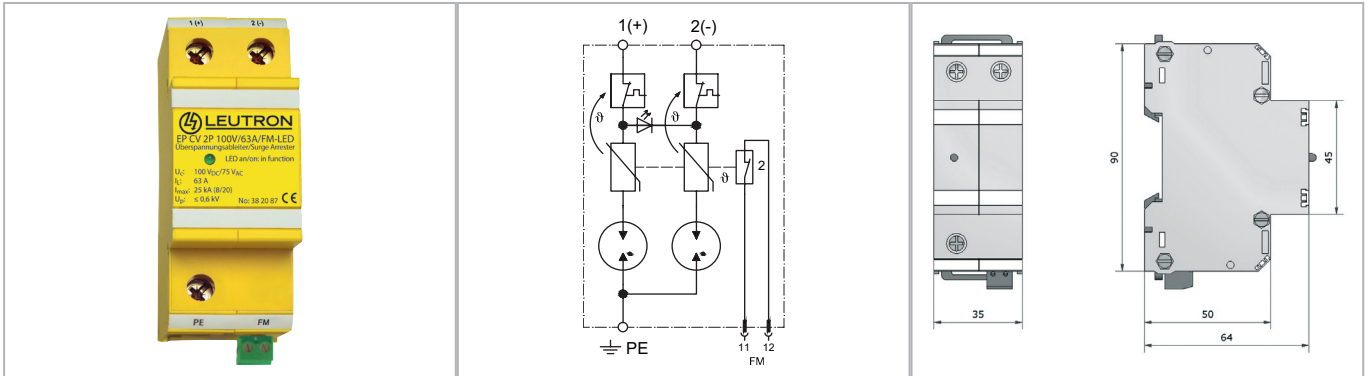


Datasheet

Protective devices for AC arresting

Arresters for Cathodic Corrosion Protection Systems



These devices are predominantly used for cathodic corrosion protection systems at gas and oil pipelines with bitumen insulation layer.

- Mounting directly on DIN rail
- Operating current up to 63 A
- Version with and without LED available
- Leakage current-free

Technical Data		EP CV 2P 100V/63A/FM-LED
IEC category		Type 2 / class II
Nominal voltage DC	UN	100 V=
Nominal voltage AC	UN	75 V~
Max. continuous operating voltage DC	Uc	125 V=
Max. continuous operating voltage AC (50/60 Hz)	Uc	95 V~
Max. acceptable fuse or back-up fuse		63 A gG
Voltage protection level (1 kV/μs)	Up	≤ 0,6 kV
Response time	tA	50 ns
Nominal discharge current (8/20 μs)	In	20 kA
Max. impulse discharge current (8/20 μs)	Imax	25 kA
Lightning impulse current (10/350 μs) per pole	Iimp	5 kA
Operating temperature range	TU	-40 - + 80 °C
Max. conductor cross section		50 mm ² stranded/35 mm ² flexible
Max. connection torque for terminals		4,0 Nm
Enclosure material / colour		polycarbonate (halogen-free) UL 94-V0 / yellow
Degree of protection (IEC EN 60529)		IP 20
Max. switching capacity of remote signal contact		250 V / 0,5 A V/A
Max. conductor cross section FM		1,5 mm ²
Mounting on		35 mm DIN rail (EN 60715)

Order Data	
Product	EP CV 2P 100V/63A/FM-LED
Article-No.	38 20 87