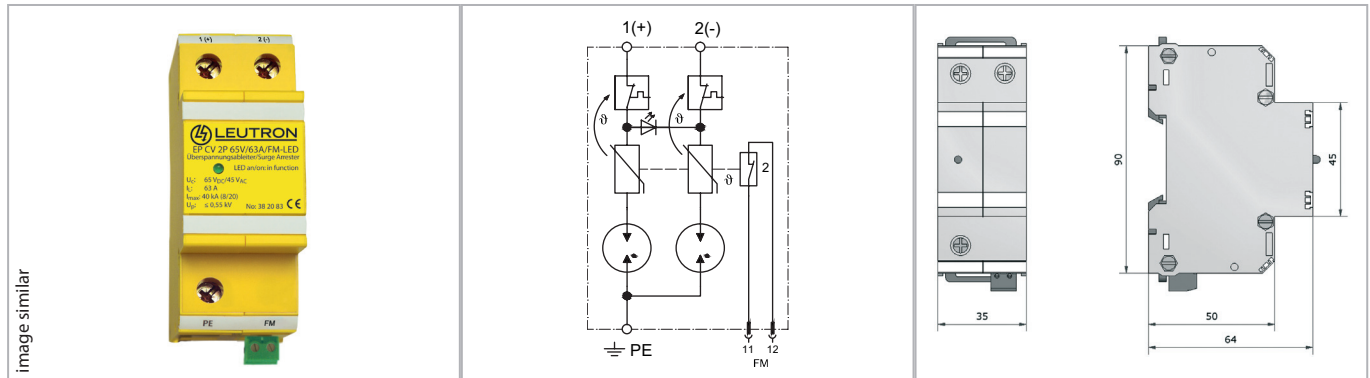


Protective devices for AC arresting

Arresters for Cathodic Corrosion Protection Systems



These devices are predominantly used for cathodic corrosion protection systems at gas and oil pipelines with bitumen insulation layer.

- Mounting directly on DIN rail
- Operating current up to 63 A
- Version with and without LED available
- Leakage current-free
- Remote signalling contact: break contact

Technical Data		EP CV 2P 65V/63A/FM-LED
IEC category		Type 2 / class II
Nominal voltage DC	UN	36 V=
Nominal voltage AC	UN	30 V~
Max. continuous operating voltage DC	Uc	65 V=
Max. continuous operating voltage AC (50/60 Hz)	Uc	45 V~
Max. acceptable fuse or back-up fuse		63 A gG
Voltage protection level (1 kV/μs)	Up	≤ 0,55 kV
Response time	tA	50 ns
Nominal discharge current (8/20 μs)	In	20 kA
Max. impulse discharge current (8/20 μs)	Imax	40 kA
Lightning impulse current (10/350 μs) per pole	Iimp	5 (2,5 As) kA
Operating temperature range	TU	-40 - +80 °C
Max. conductor cross section		50 mm ² stranded / 35 mm ² flexible
Max. connection torque for terminals		4,0 Nm
Enclosure material / colour		polycarbonate (halogen-free) UL 94-V0 / yellow
Degree of protection (IEC EN 60529)		IP 20
Max. conductor cross section FM		1,5 mm ²
Max. switching capacity of remote signal contact		AC: 250V / 0,5A DC: 250V / 0,1A V/A
Mounting on		35 mm DIN rail (EN 60715)

Order Data

Product	EP CV 2P 65V/63A/FM-LED
Article-No.	38 20 83