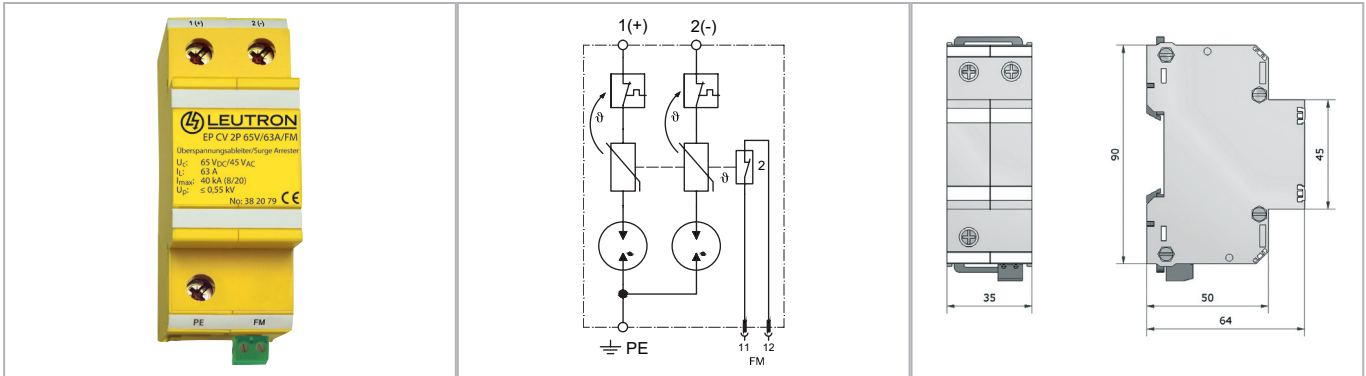


# Datasheet

## Protective devices for AC arresting

### Arresters for Cathodic Corrosion Protection Systems



These devices are predominantly used for cathodic corrosion protection systems at gas and oil pipelines with bitumen insulation layer.

- Mounting directly on DIN rail
- Operating current up to 63 A
- Leakage current-free

| Technical Data                                   |                  | EP CV 2P 65V/63A/FM                                     |
|--|------------------|---|
| IEC category                                     |                  | Type 2 / class II                                       |
| Nominal voltage DC                               | UN               | 36 V=   |
| Nominal voltage AC                               | UN               | 30 V~   |
| Max. continuous operating voltage DC             | U <sub>c</sub>   | 65 V=   |
| Max. continuous operating voltage AC (50/60 Hz)  | U <sub>c</sub>   | 45 V~   |
| Max. acceptable fuse or back-up fuse             |                  | 63 A gG   |
| Voltage protection level (1 kV/μs)               | U <sub>p</sub>   | ≤ 0,55 kV   |
| Protection level at 1 kV/μs (1, 2-PE)            | U <sub>p</sub>   | ≤ 0,55 kV   |
| Response time                                    | t <sub>A</sub>   | ≤ 50 ns   |
| Nominal discharge current (8/20 μs)              | I <sub>n</sub>   | 20 kA   |
| Max. impulse discharge current (8/20 μs)         | I <sub>max</sub> | 40 kA   |
| Lightning impulse current (10/350 μs) per pole   | I <sub>imp</sub> | 5 (2,5 As) kA   |
| Operating temperature range                      | TU               | -40 - +80 °C  |
| Max. conductor cross section                     |                  | 50 mm <sup>2</sup> stranded/35 mm <sup>2</sup> flexible |
| Max. connection torque for terminals             |                  | 4,0 Nm  |
| Enclosure material / colour                      |                  | polycarbonate (halogen-free) UL 94-V0 / yellow          |
| Degree of protection (IEC EN 60529)              |                  | IP 20   |
| Mounting on                                      |                  | 35 mm DIN rail (EN 60715)                               |
| Max. conductor cross section FM                  |                  | 1,5 mm <sup>2</sup>                                     |
| Max. switching capacity of remote signal contact |                  | 250 V / 2 A   |

### Order Data

|             |                     |
|-------------|---------------------|
| Product     | EP CV 2P 65V/63A/FM |
| Article-No. | 38.20.79            |