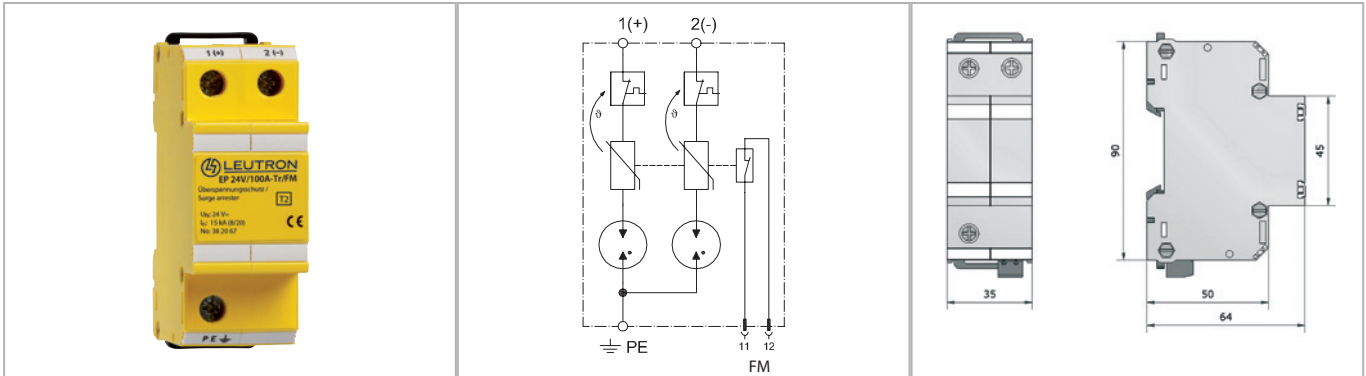


# Datasheet

## Surge protection for power supply systems

### DC Surge Protective Device type 2 (class II) / EnerPro



**Surge voltage protector for equipment power supplies and installations up to 100 A and 24 V DC.**

**A very low protection level allows the use as SPD class III.**

- **High performance surge protector**
- **Valve arrester SPD (leakage-current free)**
- **With potential-free remote signalling contact (FM)**

Technical Data		EP 24V/100A-Tr/FM
IEC category/EN type		Type 2 / class II
Nominal voltage DC	UN	24 V=
Max. continuous operating voltage DC	Uc	28 V=
Protection level at 1 kV/μs (1, 2-PE)	Uas	≤ 0,25 kV
Protection level at In (1, 2-PE)	Ures	≤ 0,6 kV
Response time	tA	< 25 ns
Nominal discharge current (10x 8/20μs)	In	15 kA
Max. impulse discharge current (8/20μs)	Imax	30 kA
Max. allowed fuse or back-up fuse		125 A gL/gG
Operating temperature range	TU	-40 - +80 °C
Max. conductor cross section		50mm <sup>2</sup> stranded/35mm <sup>2</sup> flexible
Recommended conductor cross section		25 mm <sup>2</sup>
Max. locking torque for terminals		4,0 Nm
Enclosure material / colour		polycarbonate (halogen-free) UL 94-V0 / yellow
Degree of protection (IEC EN 60529)		IP 20
Mounting on		35 mm DIN rail (DIN EN 60715 )
FM contact / contact type		break contact
Switching capacity		250 V/2 A

### Order Data

Product	EP 24V/100A-Tr/FM
Article-No.	38.20.67