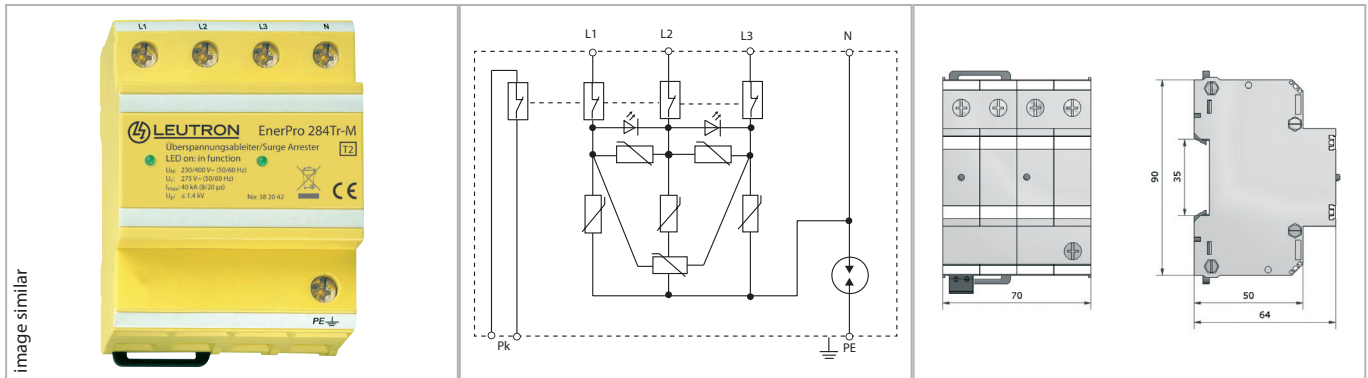


Datasheet

Surge protection of power supply

SPD type 2 for AC power supplies / EnerPro



Four-pole, compact surge arrester e.g. for 3-phase TT systems.

- Test standard: IEC 61643-11 / EN 61643-11
- Function control indication via LED
- No blow-out vents, thus, not requiring any safety clearance to other installations
- With potential-free remote signalling contact (Pk)

Technical Data		EnerPro 284Tr-M/Pk
IEC category		Type 2 / class II
Nominal voltage DC	UN	500 (N-PE) V=
Nominal voltage AC	UN	230/400 V~
Max. continuous operating voltage AC (50/60 Hz)	Uc	275 V~
Insulation resistance	Risol	≥ 10 GΩ
Impulse sparkover voltage (1.2/50 μs)	Uas	≤ 1,4 (N/PE ≤ 1,5) kV
Response time 10 kV/μs	tA	< 5 ns
Protection level at 5 kA (8/20 μs)	Up	≤ 0,8 kV
Nominal discharge current L1, L2, L3-PE (8/20 μs)	In	10x 15 kA
Max. impulse discharge current (8/20 μs)	Imax	1x 40 kA
Lightning impulse current (10/350 μs) N-PE	Iimp	12 kA
Max. acceptable fuse or back-up fuse		125 A gG
Short-circuit current extinguishing capacity line-earth		100 A
Operating temperature range	TU	-40 - +80 °C
Max. conductor cross section		50 mm ² stranded/35 mm ² flexible
Recommended conductor cross section		25 mm ²
Max. connection torque for terminals		4,0 Nm
Enclosure material / colour		polycarbonate (halogen-free) UL 94-V0 / yellow
Degree of protection (IEC EN 60529)		IP 20
Mounting on		35 mm DIN rail (DIN EN 60715)

Order Data	
Product	EnerPro 284Tr-M/Pk
Article-No.	38 20 43