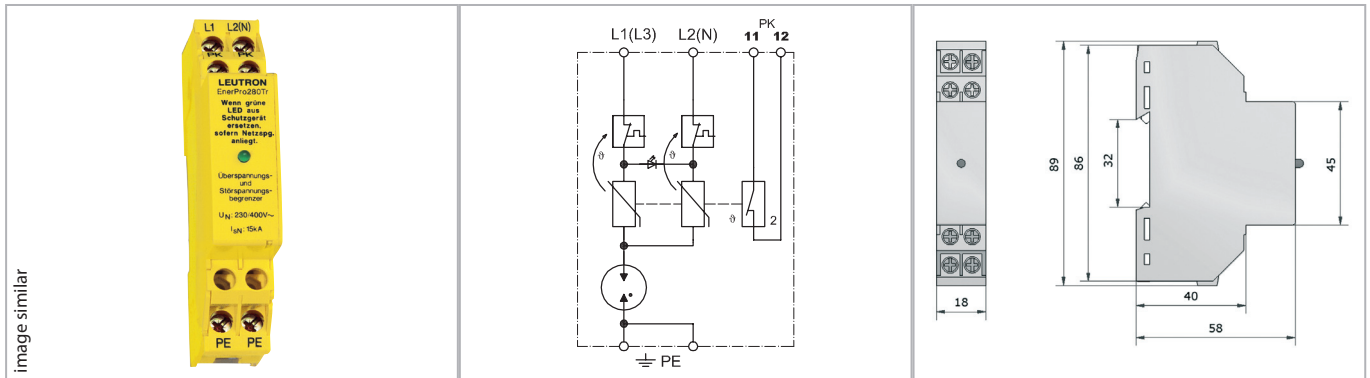


Datasheet

Surge protection of power supply

SPD type 2 for AC power supplies / EnerPro



Slim and leakage-current free 2-pole surge arrester, e.g. for a 1-phase TN system. Only 1 MW according to DIN 43880.

- Test standard: IEC 61643-11 / EN 61643-11
- Monitoring of conductor and arrester
- With potential-free remote signalling contact (Pk)

Technical Data		EnerPro 280Tr/Pk
IEC category		Type 2 / class II
Nominal voltage AC	UN	230/400 V~
Max. continuous operating voltage AC (50/60 Hz)	Uc	275/480 V~
Protection level at 5 kA	Up	≤ 1,0 kV
Protection level at In L(N)-PE	Up	≤ 1,4 kV
Response time	tA	≤ 50 ns
Nominal discharge current (8/20 μs) L(N)-PE	In	15 kA
Max. impulse discharge current (8/20 μs)	Imax	18 kA
Max. allowed fuse or back-up fuse		125 A gG
Operating temperature range	TU	-40 - +80 °C
Enclosure material / colour		polycarbonate (halogen-free) UL 94-V0 / yellow
Mounting on		35 mm DIN rail (DIN EN 60715)
FM contact / contact type		break contact
Switching capacity FM		250 V/2 A
Max. conductor cross section Pk		2x 2.5mm ² solid or 2x 1.5mm ² flexible with sleeve
Power supply system		1 phase TN systems

Order Data	
Product	EnerPro 280Tr/Pk
Article-No.	38 20 29