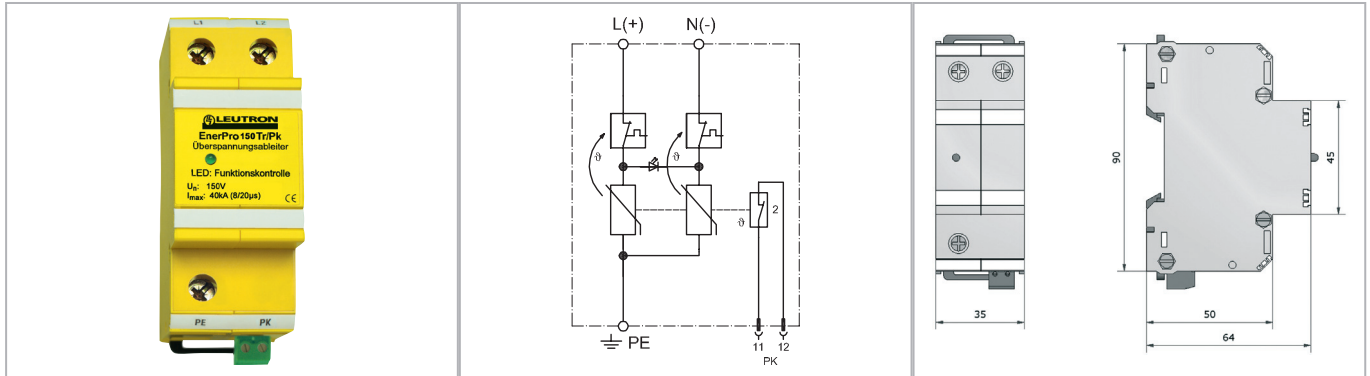


Datasheet

Surge protection of power supply

SPD type 3 for AC power supplies



Surge protection for equipment and installations up to 100 A and 150 V.

- High performance arrester for 150 V operating voltage
- Function control indication via LED
- Signalling contact (break contact) with pluggable terminal (Pk)

Technical Data		EnerPro 150Tr/Pk
IEC category		Type 3
Nominal voltage DC	UN	150 V=
Max. continuous operating voltage AC (50/60 Hz)	Uc	170 V~
Protection level	Up	≤ 1,0 kV
Lightning impulse current (10/350 μs)	Iimp	8 kA
Max. impulse discharge current (8/20 μs)	I _{max}	40 kA
Max. allowed fuse or back-up fuse		125 A gG
Response time	tA	≤ 25 ns
Max. conductor cross section		50 mm ² single wire / 35 mm ² stranded / 25 mm ² fine-stranded with sleeve
Max. connection torque for terminals		1,5 Nm
Operating temperature range	TU	-40 - +80 °C
Degree of protection (IEC EN 60529)		IP 20
Enclosure material / colour		polycarbonate (halogen-free) UL 94-V0 / yellow
Mounting on		35 mm DIN rail (EN 60715)
Max. conductor cross section Pk		1.5 mm ²
Max. current carrying capacity Pk		250 V/2 A

Order Data	
Product	EnerPro 150Tr/Pk
Article-No.	38.20.25