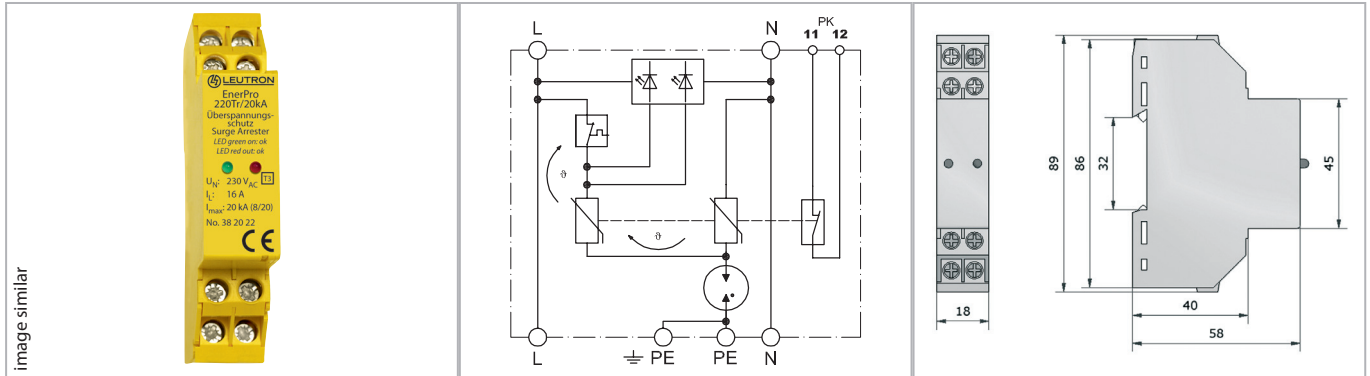


Datasheet

Surge protection of power supply

SPD type 2+3 for AC power supplies



Two-pole compact SPD with a discharge capacity of 20 kA (8/20 μ s) and disconnection device without interruption of the power supply (red LED).

- Test standard: IEC 61643-11 / EN 61643-11
- Monitoring of line interruption and fuction control by green LED
- Leakage current-free
- EAC certification
- With potential-free remote signalling contact (Pk)

Technical Data		EnerPro 220Tr/20kA/Pk
IEC category		Type 2+3 / class II+III
Nominal voltage AC	UN	230 V~
Max. continuous operating voltage AC (50/60 Hz)	Uc	275 V~
Rated load current	IL	16 A
Max. allowed fuse or back-up fuse		16 A gG
Protection level L-N	Up	$\leq 1,2$ kV
Protection level L/N-PE	Up	$\leq 1,4$ kV
Response time L-N/L,N-PE		$\leq 25 / \leq 50$ ns
Nominal discharge current (8/20 μ s)	In	20 kA
Max. impulse discharge current (8/20 μ s)	Imax	20 kA
Operating temperature range	TU	-40 - +80 °C
Max. conductor cross section		2.5mm ² solid or 1.5mm ² flexible with sleeve
Recommended conductor cross section		1,5 / 2,5 mm ²
Max. connection torque for terminals		1,5 Nm
Enclosure material / colour		polycarbonate (halogen-free) UL 94-V0 / yellow
Mounting on		35 mm DIN rail (DIN EN 60715)
FM contact / contact type		break contact
Switching capacity Pk		250 V/2 A
Max. conductor cross section Pk		1,5 mm ²

Order Data

Product	EnerPro 220Tr/20kA/Pk
Article-No.	38 20 23