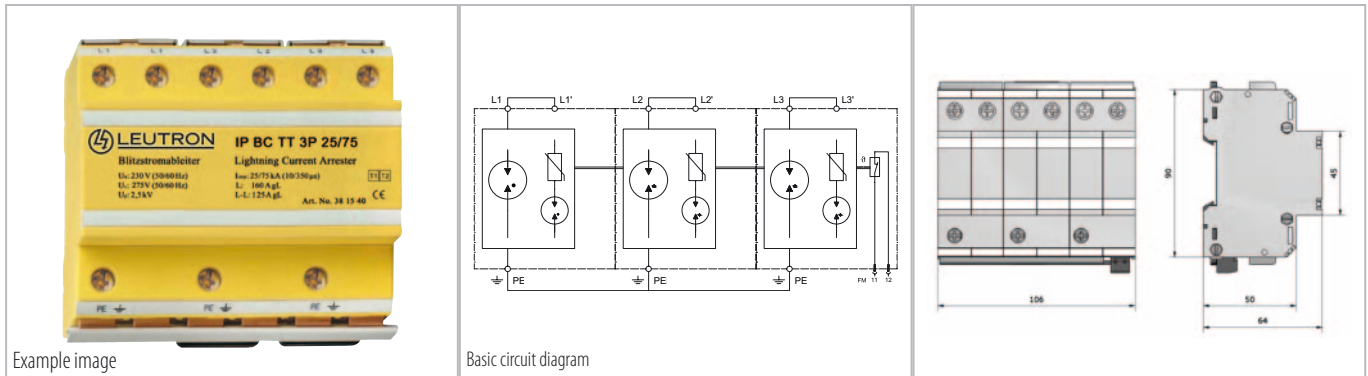


# Datasheet

## Surge protection for power supply systems

### Combined arrester type 1 + 2 for AC power supplies / IsoPro



- Test standard: IEC 61643-11/ EN 61643-11
- Class I+II (T1+T2) Combined Arresters
- Remote signalling contact: break contact
- Leakage current-free

Technical Data		IP BC TT 3P 25/75/FM
Nominal alternating voltage	UN	230/400 V~
Max. continuous operating voltage AC	Uc	255 V~
Protection level	Up	≤ 2,5 kV
Response time	tA	<50 ns
Insulation resistance	Risol	>10 GΩ
Lightning impulse current (10/350μs)	Itotal	75 kA
Lightning impulse current (10/350μs)	Iimp	25 kA
Max. acceptable back-up fuse F2 (spur wiring)		160 A gL/gG
Max. acceptable back-up fuse F1 (V-wiring)		125 A gL/gG
Operating temperature range	TU	-40 - +80 °C
Max. conductor cross section		stranded 50mm <sup>2</sup> /fine stranded 35 mm <sup>2</sup>
Recommended conductor cross section		25 mm <sup>2</sup>
Max. connection torque for terminals		4,0 Nm
Enclosure material / colour		polycarbonate (halogen-free) UL 94-V0 / yellow
Switching capacity		250 V/2 A
Max. cross section of the remote signalling line		1,5 mm <sup>2</sup>
Degree of protection (IEC EN 60529)		IP 20
Mounting in		35 mm DIN rail (EN 60715)

Order Data	
Product	IP BC TT 3P 25/75/FM
Article-No.	38 15 41