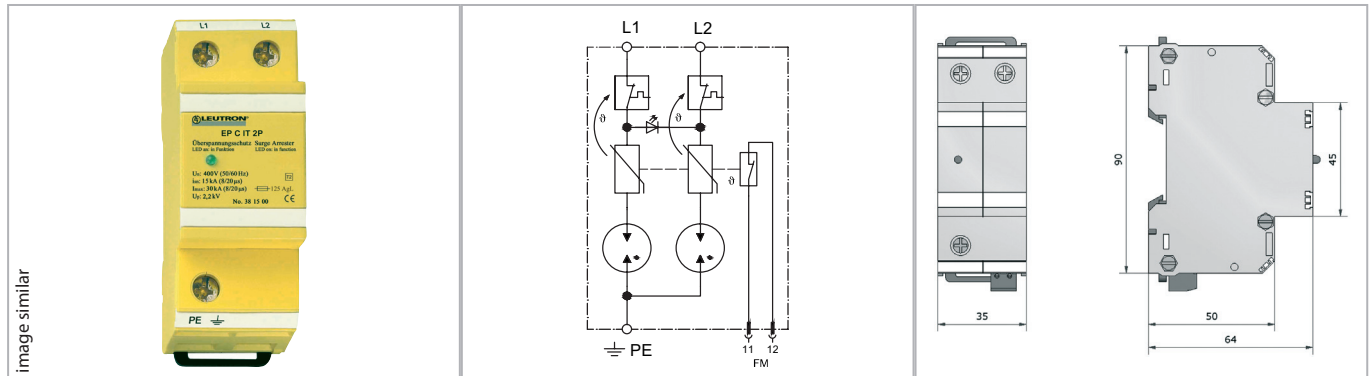


Datasheet

Surge protection of power supply

SPD type 2 for AC power supplies / EnerPro



Two pole surge voltage arrester type 2 (class II) for 2 phase IT systems.

- Test standard: IEC 61643-11 / EN 61643-11
- Monitoring of conductor and arrester via LED
- Inflammability class according to UL 94 V0
- With remote signalling contact: break contact

| Technical Data | | EP C IT 2P/FM |
|--|------|---|
| IEC category | | Type 2 / class II |
| Nominal voltage AC | UN | 230 V~ |
| Max. continuous operating voltage AC (50/60 Hz) | Uc | 440 V~ |
| Protection level at 5 kA | Up | ≤ 1.5 kV |
| Protection level at In (8/20 μs) | Up | ≤ 2.2 kV |
| Response time | tA | < 25 ns |
| Nominal impulse discharge current (10 x 8/20 μs) | In | 15 kA |
| Max. impulse discharge current (8/20 μs) | Imax | 30 kA |
| Max. allowed fuse or back-up fuse | | 125 A gG |
| Operating temperature range | TU | -40 - +80 °C |
| Max. conductor cross section | | 35 mm ² stranded / 25 mm ² flexible |
| Recommended conductor cross section | | 25 mm ² |
| Max. connection torque for terminals | | 4,0 Nm |
| Enclosure material / colour | | polycarbonate (halogen-free) UL 94-V0 / yellow |
| Degree of protection (IEC EN 60529) | | IP 20 |
| Mounting on | | 35 mm DIN rail (DIN EN 60715) |
| Switching capacity FM | | 250 V/2 A |
| Max. conductor cross section FM | | 1,5 mm ² |
| Power supply system | | 2 phase IT systems |

| Order Data | |
|-------------|---------------|
| Product | EP C IT 2P/FM |
| Article-No. | 38 15 01 |