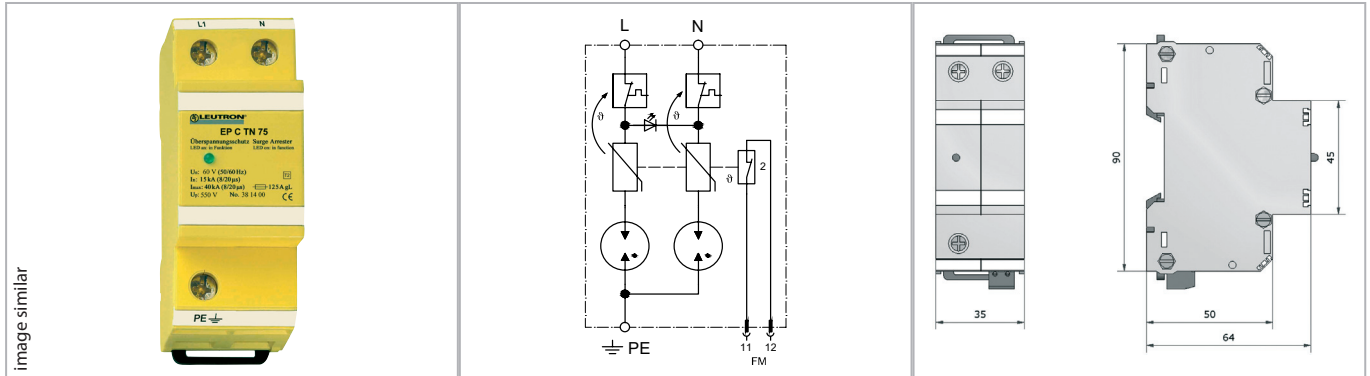


# Datasheet

## Surge protection of power supply

### SPD type 2 for AC power supplies / EnerPro



Compact and leakage-current free 2-pole surge arrester, e.g. for a 1-phase TN system.

- Test standard: IEC 61643-11 / EN 61643-11
- Monitoring of conductor and arrester via LED
- Inflammability class according to UL 94 V0
- With remote signalling contact: break contact

Technical Data		EP C TN 75/FM
IEC category		Type 2 / class II
Nominal voltage AC	UN	60 V~
Max. continuous operating voltage AC (50/60 Hz)	Uc	75 V~
Protection level at 5 kA	Up	≤ 0,3 kV
Protection level at In (8/20 μs)	Up	≤ 0,55 kV
Response time	tA	<50 ns
Nominal discharge current (8/20 μs)	In	15 kA
Max. impulse discharge current (8/20 μs)	Imax	40 kA
Max. allowed fuse or back-up fuse		125 A gG
Operating temperature range	TU	-40 - +80 °C
Max. conductor cross section		stranded 35/fine stranded 25 mm <sup>2</sup>
Recommended conductor cross section		16 mm <sup>2</sup>
Max. connection torque for terminals		4,0 Nm
Enclosure material / colour		polycarbonate (halogen-free) UL 94-V0 / yellow
Degree of protection (IEC EN 60529)		IP 20
Mounting on		35 mm DIN rail (DIN EN 60715)
FM contact / contact type		break contact
Switching capacity FM		250 V/2 A
Max. conductor cross section FM		1,5 mm <sup>2</sup>
Power supply system		1 phase TN systems

Order Data	
Product	EP C TN 75/FM
Article-No.	38 14 05