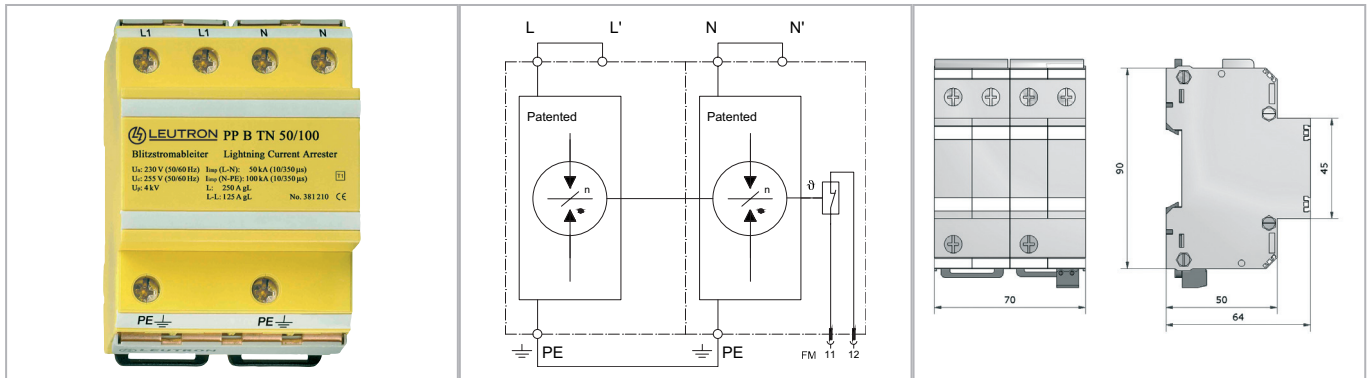


Datasheet

Surge protection of power supply

Lightning current arrester Type 1 for AC power supplies / PowerPro



Multi-pole lightning current arrester (class I) for 1-phase TN systems for protection of low-voltage consumers' installations in business and residential areas against surges caused by lightning or switching actions in the network. The arresters can be installed at the transition 0A to 1 according to the lightning protection zones concept.

- Test standard: IEC 61643-11 / EN 61643-11
- No leakage currents, thus, allowing installation upstream of power meters
- Operates independently of atmospheric air pressure and ambient humidity
- Serial wiring with multi-functional terminals
- Mounting on 35 mm DIN rail (EN 60715)
- Degree of protection according to IEC EN 60529: IP 20
- EAC certification
- Remote signalling contact: break contact

Technical Data		PP B TN 50/100/FM
IEC category		Type 1
Nominal voltage AC	UN	230/400 V~
Max. continuous operating voltage AC (50/60 Hz)	Uc	255 V~
Insulation resistance	Risol	>10 GΩ
Protection level at 100% lightn. imp. sparkover voltage (1.2/50 μs)	Up	≤ 4,0 kV
Protection level	Up	≤ 4,0 kV
Response time	tA	<50 ns
Lightning impulse current (10/350 μs) total	Itotal	100 kA
Lightning impulse current (10/350 μs) L-N/N-PE/L-PEN	Iimp	- / 50 / - kA
Follow-on current extinguishing capability at Uc (50/60 Hz)	I _{fi}	4 kA
Short-circuit withstand capability at max. back-up fuse	I _k	50 kA _{eff}
Max. acceptable back-up fuse F2 (spur wiring)		250 A gG
Max. acceptable back-up fuse F1 (serial wiring)		125 A gG
Operating temperature range	TU	-40 - +80 °C
Max. conductor cross section		50mm ² stranded/35mm ² flexible
Recommended conductor cross section		25 mm ²
Max. connection torque for terminals		4,0 Nm
Enclosure material / colour		polycarbonate (halogen-free) UL 94-V0 / yellow
Switching capacity FM		250 V/2 A
Max. conductor cross section FM		1,5 mm ²

Order Data

Product	PP B TN 50/100/FM
Article-No.	38 12 11