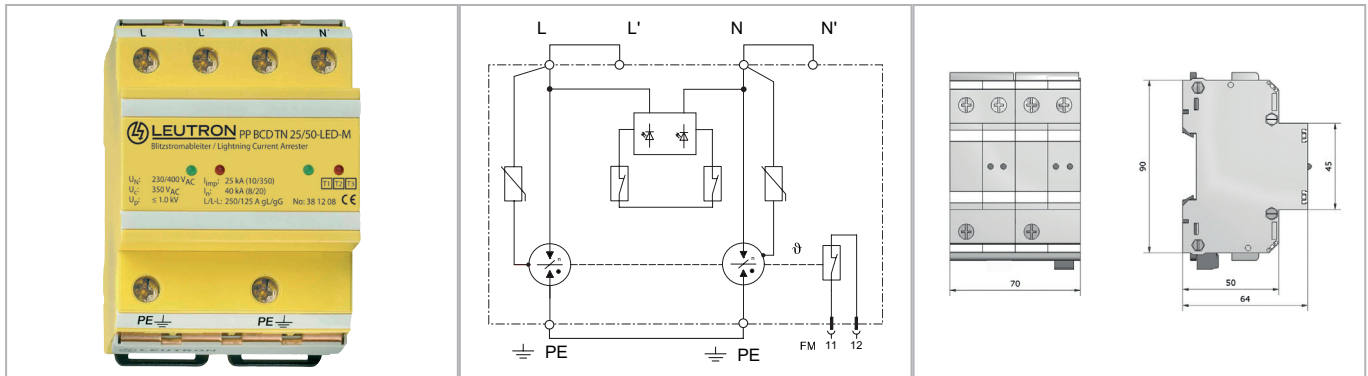


Datasheet

Surge protection of power supply

Combined arrester type 1 + 2 + 3 for AC power supplies / PowerPro



Combined multi-pole arrester for 1-phase TN systems.

- Test standard: IEC 61643-11 / EN 61643-11
- No blow-out vents, making the observance of safety distances for installation unnecessary
- Surge arrester based on varistors (MOV) and GDT
- Execution with a 40 kA MOV
- Very low voltage protection level
- With remote signalling contact (FM)
- EAC certification
- Not leakage current free

Technical Data		PP BCD TN 25/50-LED-M/FM
IEC category		Type 1 + 2 + 3 / class I+II+III
Nominal voltage AC	UN	230 / 400 V~
Max. continuous operating voltage AC (50/60 Hz)	Uc	350 V~
Insulation resistance	Risol	>10 GΩ
Protection level at 100% lightning imp. sparkover voltage (1.2/50μs)	Up	≤ 1,0 kV
Protection level	Up	≤ 1,0 kV
Residual voltage at 5kA (8/20 μs)	Ures	600 V
Lightning impulse current (10/350 μs)	Iimp	25 kA
Nominal discharge current (8/20 μs)	In	40 kA
Response time	tA	<50 ns
Follow-on current extinguishing capability at Uc (50/60 Hz)	I _{fi}	4,0 kA
Short-circuit withstand capability at max. back-up fuse	I _{lk}	25 kA _{eff}
Max. acceptable back-up fuse F2 (spur wiring)		250 A gG
Max. acceptable back-up fuse F1 (serial wiring)		125 A gG
Operating temperature range	TU	-40 - +80 °C
Max. conductor cross section		50mm ² stranded/35mm ² flexible
Recommended conductor cross section		25 (IEC min. 16 mm ²) mm ²
Max. connection torque for terminals		4,0 Nm
Enclosure material / colour		polycarbonate (halogen-free) UL 94-V0 / yellow
Degree of protection (IEC EN 60529)		IP 20

Order Data

Product	PP BCD TN 25/50-LED-M/FM
Article-No.	38 12 09