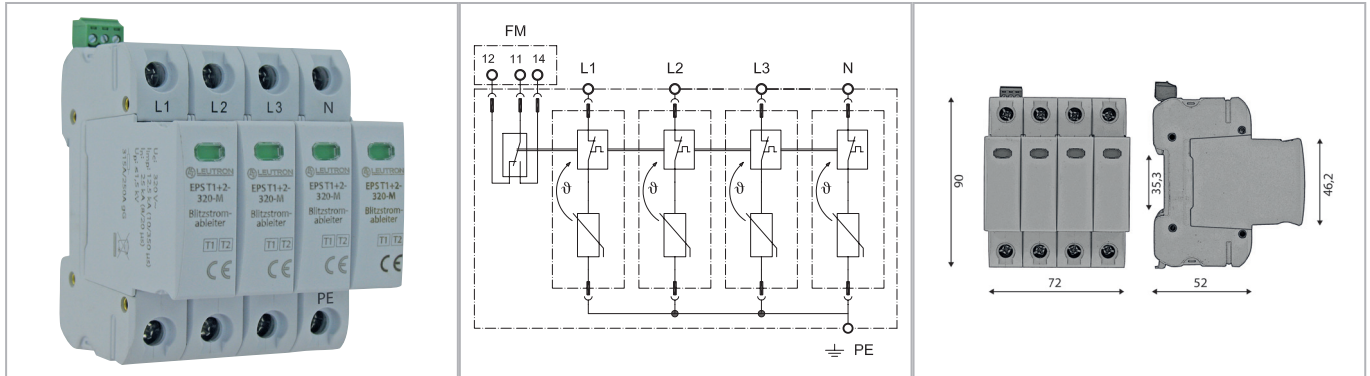


# Datasheet

## Surge protection of power supply

### Combined arrester Type 1+2 for AC power supplies / Pluggable



Four pole pluggable combined lightning and surge arrester, for example for 3-phase TN-S systems. Mechanical status indicator: State of the surge protective device is optically indicated

- Test standard: IEC 61643-11 / EN 61643-11
- High lightning impulse discharge current of 12.5 kA (10/350  $\mu$ s) per pole
- Place of installation: main distributor
- Remote changeover contact

Technical Data		EPS T1+2/4+0-320-12.5-FM
IEC category		Type 1 + 2 / class I+II
Nominal voltage AC	UN	240 V~
Max. continuous operating voltage AC (50/60 Hz)	Uc	320 V~
Nominal discharge current (8/20 $\mu$ s) L-N/N-PE/L-PEN	In	25 / - / - kA
Max. discharge current (8/20 $\mu$ s) L-N/N-PE/L-PEN	Imax	50 / - / - kA
Lightning impulse current (10/350 $\mu$ s) L-N/N-PE/L-PEN	limp	12,5 / - / - kA
Specific Energy	W/R	39 kJ/ $\Omega$
Charge	Q	6,25 As
Protection level	Up	< 1,5 kV
Response time	tA	< 25 ns
Max. allowed fuse or back-up fuse		250 A gG
Short-circuit withstand capability at max. back-up fuse	ISCCR	25/50 kAeff
TOV withstand 5s	UT	337 V
Temporary overvoltage rating 120 min	UT	442 V
Operating temperature range	TU	-40 - +85 °C
Max. conductor cross section		stranded 35/fine stranded 25 mm <sup>2</sup>
Max. connection torque for terminals		4,5 Nm
Degree of protection (IEC EN 60529)		IP 20
Enclosure material / colour		Thermoplastic: Extinguishing Degree UL 94 V-0/grey
Dimension (DIN 43880)		4TE

Order Data	
Product	EPS T1+2/4+0-320-12.5-FM
Article-No.	38.07.03