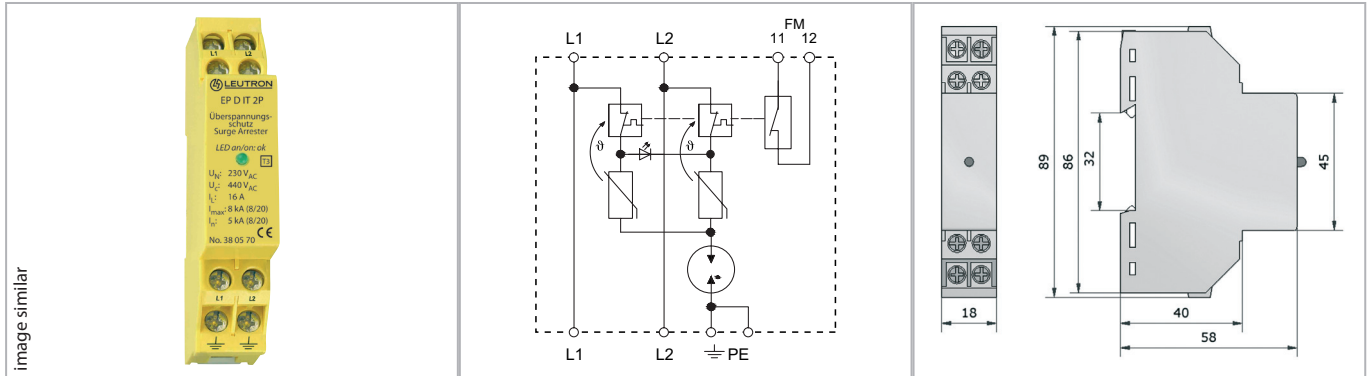


Datasheet

Surge protection of power supply

SPD type 3 for AC power supplies



Surge Arrester SPD type 3 (class III) for up to 16 A fuse size. EP D IT 2P is a two pol SPD for single phase IT systems without N line.

- High insulation resistance $R_{isol} \geq 1 \text{ G}\Omega$
- Leakage current free
- Optical function control display by LED
- Remote signalling contact: break contact
- EAC certification

| Technical Data | EP D IT 2P/FM | |
|---|---------------|--|
| IEC category | | Type 3 |
| Nominal voltage AC | UN | 230 V~ |
| Max. continuous operating voltage AC (50/60 Hz) | Uc | 440 V |
| Max. allowed fuse or back-up fuse | | 16 A gG |
| Protection level at 1kV/ μ s | Up | $\leq 1,5 \text{ V}$ |
| Protection level at In | Up | $\leq 1,5 \text{ V}$ |
| Combined surge | Uoc | 6 kV |
| Response time | tA | 25 ns |
| Nominal impulse discharge current (10 x 8/20 μ s) | In | 5 kA |
| Max. impulse discharge current (8/20 μ s) | Imax | 8 kA |
| Operating temperature range | TU | -40 – +80 °C |
| Max. conductor cross section | | 2x 2,5 mm ² solid / 2x 1,5 mm ² stranded |
| Max. connection torque for terminals | | 1,5 Nm |
| Enclosure material / colour | | polycarbonate (halogen-free) UL 94-V0 / yellow |
| Degree of protection (IEC EN 60529) | | IP 20 |
| Mounting on | | 35 mm DIN rail (EN 60715) |
| Switching capacity FM | | 250 V/2 A |
| Max. conductor cross section FM | | 1,5 mm ² |
| Max. locking torque FM terminals | | 1,5 Nm |
| Power supply system | | single phase IT systems |

Order Data

| | |
|-------------|---------------|
| Product | EP D IT 2P/FM |
| Article-No. | 38 05 71 |