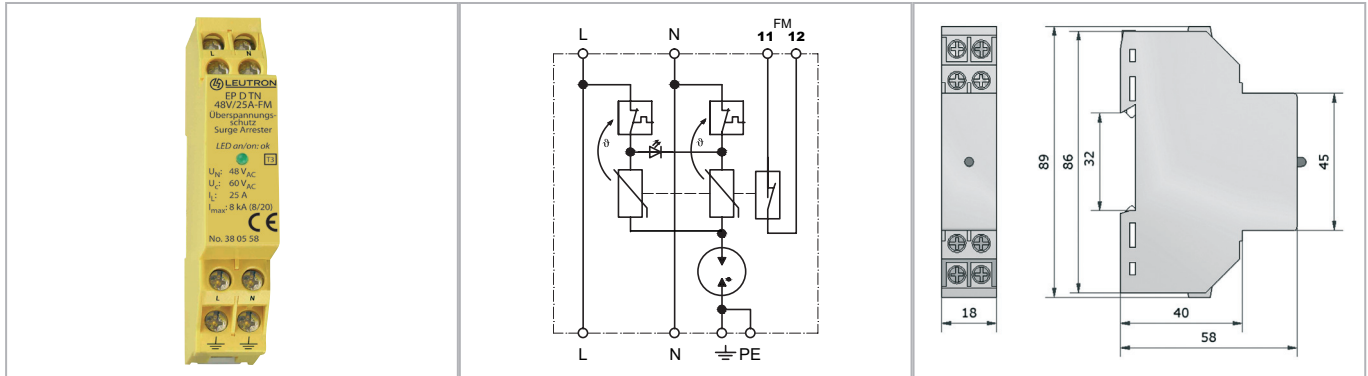


Datasheet

Surge protection of power supply

SPD Type 3 for AC power supplies



Compact 2-pole surge arrester type 3 (class III) for the use in TN systems. The SPD is applicable at the transition 2-3 according to the lightning protection zones concept.

- Test standard: IEC 61643-11 / EN 61643-11
- Line function and equipment control by LED
- Leakage current free
- Practical compact housing with minimum space requirement
- EAC certification
- Remote changeover contact

| Technical Data | | EP D TN 48V/25A-FM |
|--|------|--|
| IEC category | | Type 3 |
| Nominal voltage AC | UN | 48 V~ |
| Nominal voltage DC | UN | 48 V= |
| Max. continuous operating voltage AC (50/60 Hz) | Uc | 60 V~ |
| Max. continuous operating voltage DC | Uc | 60 V= |
| Rated load current | IL | 25 A |
| Protection level L-N | Up | ≤ 0,35 kV |
| Protection level L/N-PE | Up | ≤ 1,0 kV |
| Combined surge | Uoc | ≤ 2 kV |
| Response time L-N/L,N-PE | | ≤ 25/≤ 100 ns |
| Nominal impulse discharge current (10 x 8/20 μs) | In | 5 kA |
| Max. impulse discharge current (8/20 μs) | Imax | 8 kA |
| Max. allowed fuse or back-up fuse | | 25 A gG |
| Operating temperature range | TU | -40 - +80 °C |
| Min. conductor cross section at terminals | | 2.5 mm ² single-wire / 1.5 mm ² flexible with sleeve |
| Max. conductor cross section | | 2.5 mm ² flexible / 4mm ² solid |
| Max. connection torque for terminals | | 1,5 Nm |
| Enclosure material / colour | | polycarbonate (halogen-free) UL 94-V0 / yellow |
| Degree of protection (IEC EN 60529) | | IP 20 |
| Mounting on | | 35 mm DIN rail (EN 60715) |

Order Data

| | |
|-------------|--------------------|
| Product | EP D TN 48V/25A-FM |
| Article-No. | 38 05 58 |