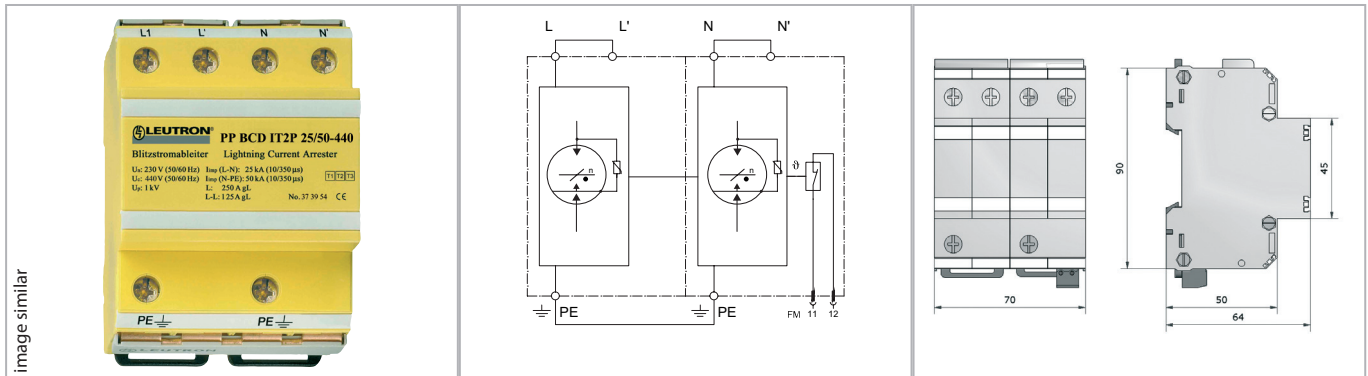


# Datasheet

## Surge protection of power supply

### Combined arrester type 1 + 2 + 3 for AC power supplies / PowerPro



- Test standard: IEC 61643-11 / EN 61643-11
- Single phase IT systems
- Remote signalling contact: break contact
- EAC certification

Technical Data		PP BCD IT 2P 25/50-440/FM
IEC category		Type 1 + 2 + 3 / class I+II+III
Nominal voltage AC	UN	230 / 400 V~
Max. continuous operating voltage AC (50/60 Hz)	Uc	440 V~
Insulation resistance	Risol	>10 GΩ
Protection level at 100% lightn. imp. sparkover voltage (1.2/50μs)	Up	≤ 1,0 kV
Voltage protection level at limp (10/350)	Up	≤ 1,0 kV
Response time	tA	<50 ns
Lightning impulse current (10/350 μs) total	Itotal	50 kA
Lightning impulse current (10/350 μs)	Iimp	25 kA
Follow-on current extinguishing capability at Uc (50/60 Hz)	I <sub>fi</sub>	4,0 kA
Short-circuit withstand capability at max. back-up fuse 250 A gL	I <sub>k</sub>	25 kA <sub>eff</sub>
Max. acceptable back-up fuse F2 (spur wiring)		250 A gG
Max. acceptable back-up fuse F1 (serial wiring)		125 A gG
Operating temperature range	TU	-40 - +80 °C
Max. conductor cross section		50mm <sup>2</sup> stranded/35mm <sup>2</sup> flexible
Recommended conductor cross section		25 mm <sup>2</sup>
Max. connection torque for terminals		4,0 Nm
Enclosure material / colour		polycarbonate (halogen-free) UL 94-V0 / yellow
Degree of protection (IEC EN 60529)		IP 20
Mounting on		35 mm DIN rail (DIN EN 60715 )

### Order Data

Product	PP BCD IT 2P 25/50-440/FM
Article-No.	37 39 55