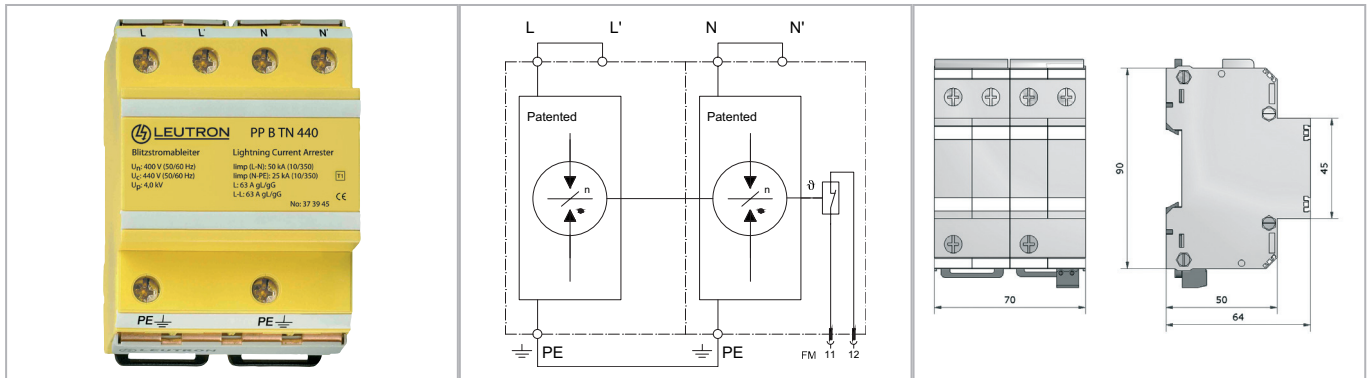


# Datasheet

## Surge protection of power supply

### Lightning current arrester Type 1 for AC power supplies / PowerPro



**Multi-pole lightning current arrester (class I) for 1-phase TN systems for protection of low-voltage consumers' installations in business and residential areas against surges caused by lightning or switching actions in the network. The arresters can be installed at the transition OA to 1 according to the lightning protection zones concept.**

- Test standard: IEC 61643-11 / EN 61643-11
- No leakage currents, thus, allowing installation upstream of power meters
- Operates independently of atmospheric air pressure and ambient humidity
- Serial wiring with multi-functional terminals
- Mounting on 35 mm DIN rail (EN 60715)
- Degree of protection according to IEC EN 60529: IP 20
- EAC certification
- Remote signalling contact: break contact

Technical Data		PP B TN 440/FM
IEC category		Type 1
Nominal voltage AC	UN	400 V~
Max. continuous operating voltage AC (50/60 Hz)	Uc	440 V~
Insulation resistance	Risol	>10 GΩ
Protection level at 100% lightn. imp. sparkover voltage (1.2/50 μs)	Up	≤ 4,0 kV
Protection level	Up	≤ 4,0 kV
Response time	tA	< 50 ns
Lightning impulse current (10/350 μs) total	Itotal	50 kA
Lightning impulse current (10/350 μs) L-N/N-PE/L-PEN	Iimp	25 / 25 / - kA
Follow-on current extinguishing capability at Uc (50/60 Hz)	I <sub>fi</sub>	4 kA
Short-circuit withstand capability at max. back-up fuse	I <sub>lk</sub>	50 kA <sub>eff</sub>
Max. acceptable back-up fuse F2 (spur wiring)		63 A gG
Max. acceptable back-up fuse F1 (serial wiring)		63 A gG
Operating temperature range	TU	-40 - +80 °C
Max. conductor cross section		50mm <sup>2</sup> stranded/35mm <sup>2</sup> flexible
Recommended conductor cross section		25 mm <sup>2</sup>
Max. connection torque for terminals		4,0 Nm
Enclosure material / colour		polycarbonate (halogen-free) UL 94-V0 / yellow
Max. conductor cross section FM		1,5 mm <sup>2</sup>
Max. locking torque FM terminals		0,25 Nm

### Order Data

Product	PP B TN 440/FM
Article-No.	37 39 46