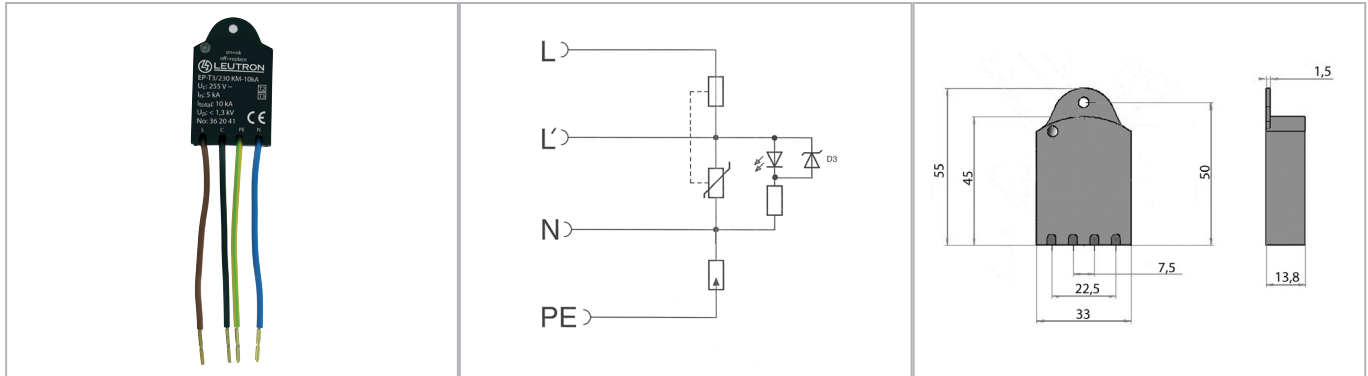


Datasheet

Surge protection of power supply

SPD type 3 for AC power supplies



Surge arrester for installation systems and terminal equipment with optical fault indication (LED).

- Applicable at the LPZ transition point 2-3
- Test standard: IEC 61643-11 / EN 61643-11
- Protection against longitudinal and transverse voltages for loads up to 16 A
- Universal device for use in cable ducts and holder boxes
- Applicable für protection of LED illuminant.
- EAC certification

Technical Data		EP-T3/230 KM-20kA
IEC category		Type 2 + 3 / class II + III
Nominal voltage AC	UN	230 V~
Max. continuous operating voltage AC (50/60 Hz)	Uc	255 V~
Max. acceptable fuse or back-up fuse		16 A gG
Rated load current	IL	16 A
Protection level	Up	≤ 1,3 kV
Combined surge	Uoc	10 kV
Nominal discharge current (8/20 μs)	In	10 kA
Max. impulse discharge current (8/20 μs)	Imax	20 kA
Operating temperature range	TU	-15 - +60 °C
Degree of protection (IEC EN 60529)		IP 21
Conductor length		90 mm
Dimensions (L x W x H)		55 x 33 x 12 mm
Mounting on		under-floor systems, cable trays and device installation boxes

Order Data	
Product	EP-T3/230 KM-20kA
Article-No.	36 20 42