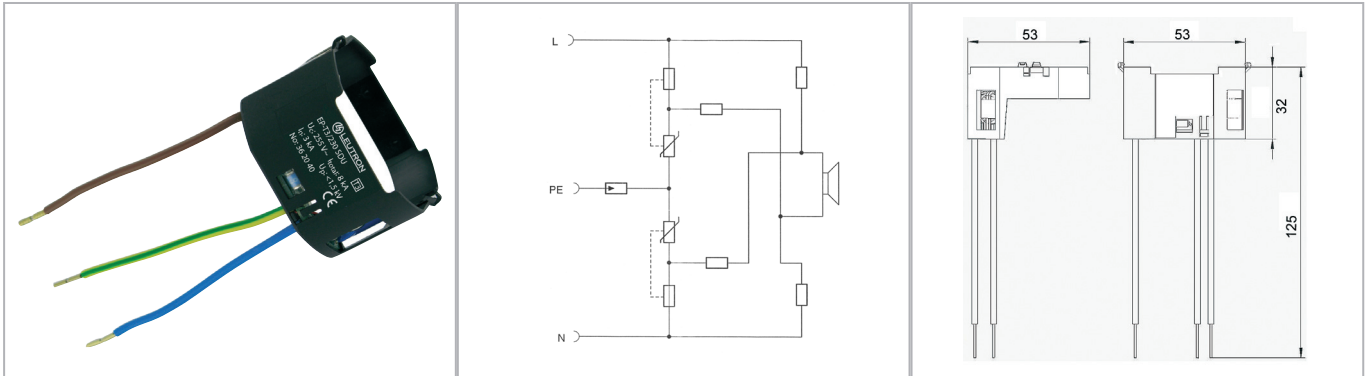


# Datasheet

## Surge protection of power supply

### SPD type 3 for AC power supplies



**Two-pole surge arrester for the protection of electrical devices, for the retrofitting of 230 V flush-mounted boxes.**

- Applicable at the LPZ transition point 2-3
- Test standard: IEC 61643-11 / EN 61643-11
- Valve arrester SPD (leakage-current free)
- acoustical indication
- EAC certification

Technical Data		EP-T3/230 SDU
IEC category		Type 3
Nominal voltage AC	UN	230 V~
Max. continuous operating voltage AC (50/60 Hz)	Uc	255 V~
Rated load current	IL	16 A
Combined surge	Uoc	6 kV
Protection level L-N	Up	≤ 1,3 kV
Protection level L/N-PE	Up	≤ 1,5 kV
Max. acceptable fuse or back-up fuse		16 A gG
Response time L-N/L,N-PE		≤ 25 / ≤ 100 ns
Nominal discharge current (8/20 μs)	In	3 kA
Max. impulse discharge current (8/20 μs)	Imax	8 kA
Operating temperature range	TU	-20 - +60 °C
Type of connection		3 lines
Mounting		installation in 230V flush sockets
Degree of protection (IEC EN 60529)		IP 21

Order Data	
Product	EP-T3/230 SDU
Article-No.	36 20 40