

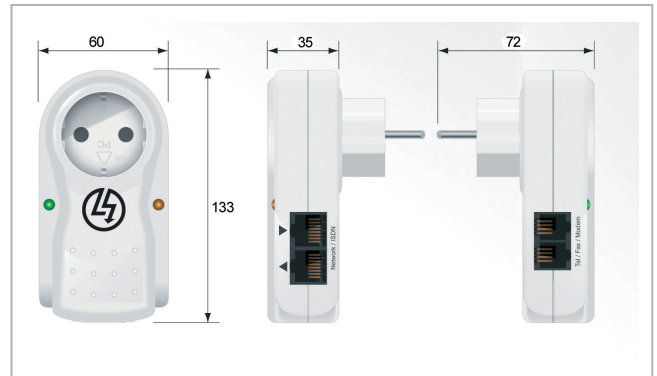
Datasheet

Surge protection of power supply

SPD type 3 for AC power supplies



CPS is a pluggable combined overvoltage protection unit for electronic devices with 230 Vac voltage. Pluggable combined overvoltage protection for electrical and electronic devices with supply voltage of 230 V. Application for analogue and digital telephone lines, IT and networks.



- Surge voltage protector (class III T3)
- Complete optical monitoring of conductor and arrester by LED
- Protection of Telephon/Fax/Modem with RJ11 jack
- Protection of ethernet or ISDN with RJ45 jack
- EAC certification
- Applicable at the boundaries LPZ 1 - 2 and higher
- Test standard: IEC 61643-11 / EN 61643-11

Technical Data		CPS-F 230/RJ45/RJ11
IEC category		Type 3 / class III
Max. power		3680 W
Nominal voltage AC	UN	230 V~
Max. continuous operating voltage AC (50/60 Hz)	Uc	255 V~
Rated load current	IL	16 A
Protection level	Up	1,5 kV
Nominal discharge current (8/20 μs)	In	2,5 kA
Max. impulse discharge current (8/20 μs)	Imax	5 kA
Combined surge	Uoc	6 kV
Operating temperature range	TU	0 - +40 °C
Degree of protection (IEC EN 60529)		IP 20
Terminals		RJ45/RJ11 connections
Max. continuous operating voltage DC	Uc	180 V=

Order Data	
Product	CPS-F 230/RJ45/RJ11
Article-No.	32.50.45