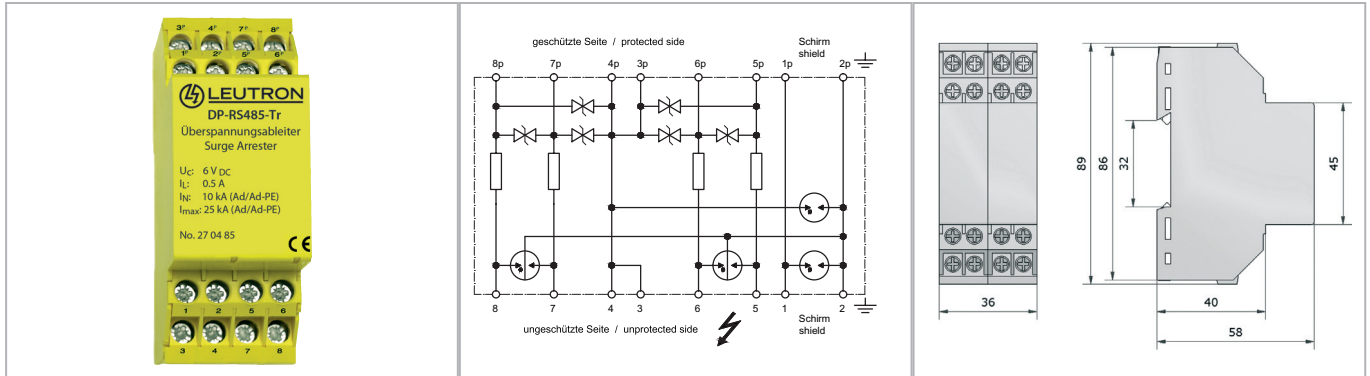


Datasheet

Surge protection for measuring systems and automatic control devices



- SPD for interface RS485
- Mounting on 35 mm DIN rail (EN 60715)
- Inflammability class according to UL 94 V0
- Degree of protection according to IEC EN 60529: IP 20
- EAC certification

Technical Data		DP RS485-Tr
Nominal voltage DC	UN	5 V=
Max. continuous operating voltage DC	Uc	6 V=
Nominal current	IL	0,5 A
Leakage current at Um: x DC		≤ 5 µA
Max. operating frequency (-3 dB)	fG	1 MHz
Capacitance, line-earth	C	≤ 3 nF
DC resistance	R	1,8 Ω
Series inductance, typ.	L	10 µH
Protection level wire-wire	Up	≤ 8,5 V
Protection level (line-earth)	Up	≤ 600 V
Nominal discharge current (8/20 µs)	In	10 (Ad/Ad-PE) kA
Max. impulse discharge current (8/20 µs)	I _{max}	25 (Ad/Ad-PE) kA
Operating temperature range	TU	-25 - +85 °C
Max. conductor cross section		2.5mm ² solid or 5mm ² flexible with sleeve
Max. connection torque for terminals		1,5 Nm
Enclosure material / colour		polycarbonate (halogen-free) UL 94-V0 / yellow
Casting compound		Polyurethane
Mounting on		35 mm DIN rail (DIN EN 60715)

Order Data	
Product	DP RS485-Tr
Article-No.	27 04 85