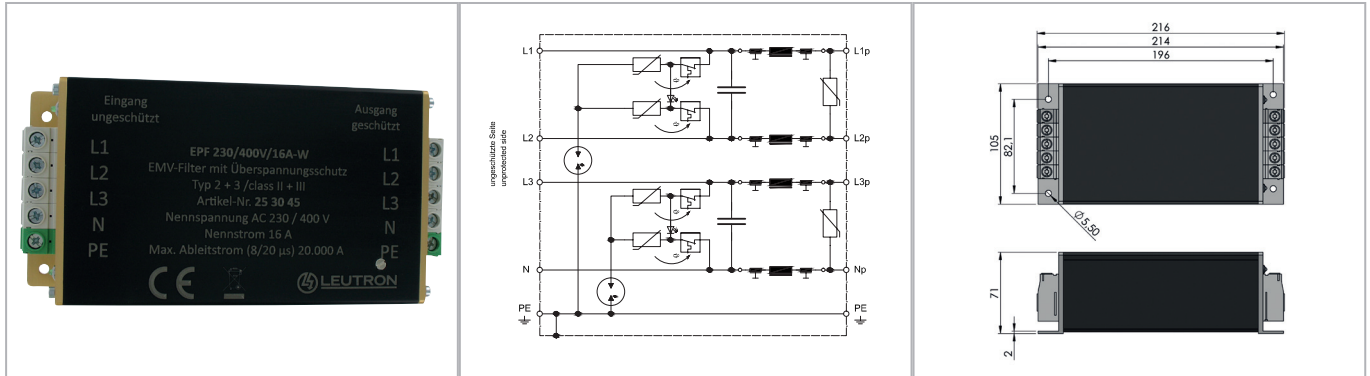


Datasheet

EMC filter with integrated surge protection

EnerProFilter



EMC filters with integrated overvoltage protection enable smooth operation of highly sensitive electronics in harsh environments. Suitable for the application in three-phase 230/400 V TN systems.

- Applicable at the boundaries LPZ 0B - 2 and higher
- 4-pole
- Leakage current-free
- Test standard: IEC 61643-11 / EN 61643-11
- Protects foundation earthing electrode against AC-caused corrosion
- To protect the supply of sensible equipment and installations
- Maximum impulse discharge current of 20 kA (8/20 μ s)
- EAC certification

Technical Data		EPF 230/400V/16A-W
IEC category		Type 2 + 3 / class II + III
Nominal voltage AC	UN	230 / 400 V~
Max. continuous operating voltage AC (50/60 Hz)	Uc	275 / 480 V~
Voltage protection level at 5 kA (8/20 μ s) or 1 kV/ μ s	Up	$\leq 1,4$ kV
Protection level at In (8/20 μ s); worst case	Up	≤ 2 kV
Nominal current	IL	16 A
Response time	tA	≤ 25 ns
Nominal discharge current (8/20 μ s)	In	15 kA
Max. impulse discharge current (8/20 μ s)	Imax	20 kA
Max. allowed fuse or back-up fuse		16 A gG
Operating temperature range	TU	-40 - +80 °C
Max. conductor cross section		16 mm ² single wire / stranded
Dimensions (L x W x H)		216 x 105 x 71 mm
Enclosure material / colour		Aluminum / black-gold
Degree of protection (IEC EN 60529)		IP 20
Mounting on		mounting plate
Power supply system		3 phase TN systems

Order Data

Product	EPF 230/400V/16A-W
Article-No.	25 30 45