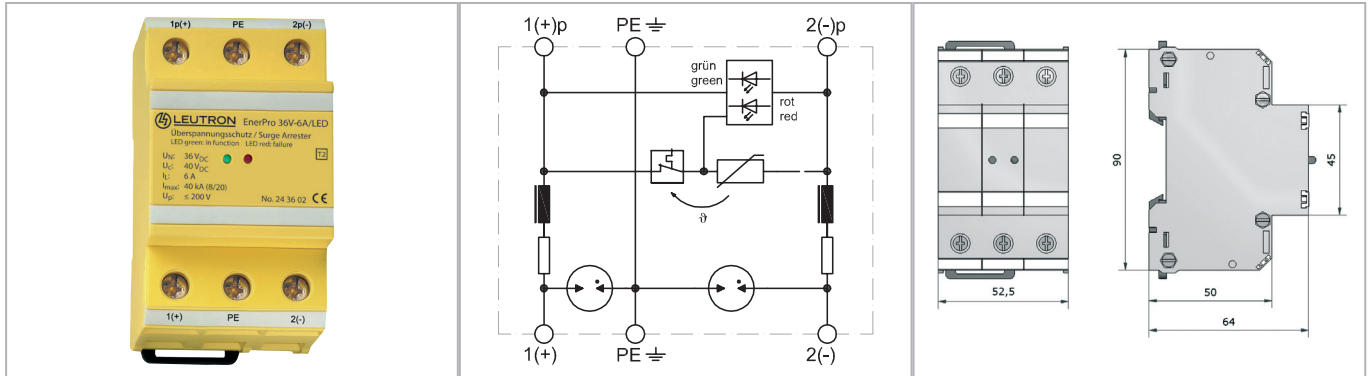


# Datasheet

## Surge protection of power supply

### DC Power Supply



**Surge voltage arrester for electrical and electronic devices in looped-in wiring, with disconnection device without interruption of the power supply. A very low protection level allows the use as SPD Typ 3 (class III).**

- Two-pole SPD for operating current up to 6 A
- EAC certification

Technical Data		EnerPro 36V-6A/LED
IEC category		Type 2 / class II
Rated voltage DC (1-2/1p-2p)	UN	36 V=
Rated voltage AC (1-2 / 1p-2p)	UN	24 V~
Max. operating voltage DC (1-2 / 1p-2p)	Uc	40 V=
Max. operating voltage AC (1-2 / 1p-2p)	Uc	29 V~
Max. operating current	IL	6 A
Response time	tA	< 25 ns
Series inductance, typ.	L	20 µH
Protection level (line-earth)	Up	650 V
Protection level line-line at 1 kV/µs	Up	≤ 200 V
Short-circuit current extinguishing capacity line-line		≤ 6 A
Short-circuit current extinguishing capacity line-earth		≤ 1 A
Max. impulse discharge current (8/20 µs)	I <sub>max</sub>	40 kA
Critical discharge current (10/700 µs)		1000 A
Max. alternating discharge current (50 Hz/ 5x 0,5s)	I <sub>wn</sub>	50 A
Service life test current (500 x 10/700 µs)	i <sub>l</sub>	200 A
Max. current 50 Hz/0,5 s	I <sub>g</sub>	80 A
Operating temperature range	TU	-40 - +80 °C
Max. conductor cross section		50 mm <sup>2</sup> stranded/35 mm <sup>2</sup> flexible
Max. connection torque for terminals		4,0 Nm

### Order Data

Product	EnerPro 36V-6A/LED
Article-No.	24 36 02