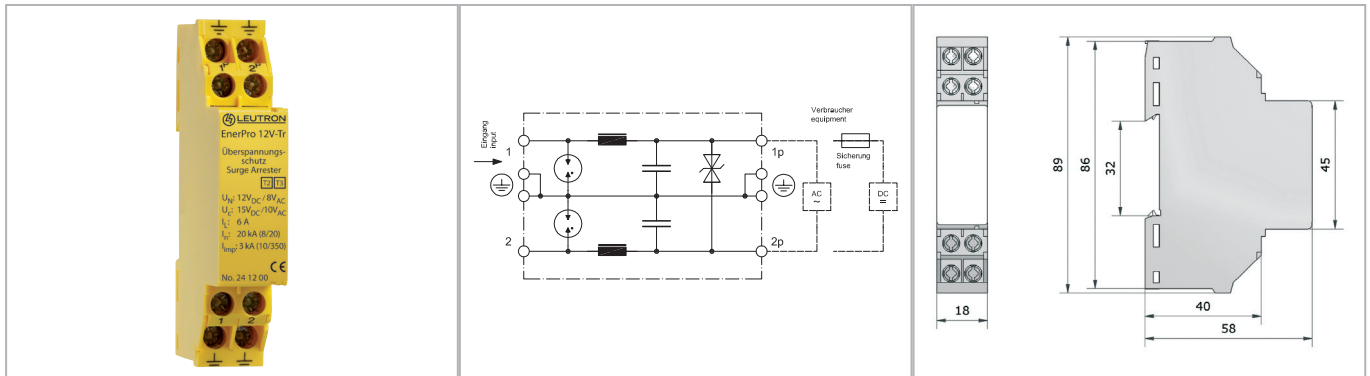


# Datasheet

## Surge protection of power supply

### DC Power Supply



**Two-pole SPD type 2+3 (class II+III) with gas discharge tubes (GDT) and suppressor diodes for operating currents up to 6 A.**

- **Two-step protective circuit with integrated low-pass filter**
- **High performance surge protector**
- **Mounting directly on mounting plate or on 35 mm DIN rail**
- **EAC certification**

Technical Data		EnerPro 12V-Tr
IEC category		Type 2 + 3 / class II + III
Nominal voltage DC	UN	12 V=
Nominal voltage AC	UN	8 V~
Max. continuous operating voltage DC	Uc	15 V=
Max. continuous operating voltage AC (50/60 Hz)	Uc	10 V~
Max. operating current	IL	6 A
Leakage current at Uc DC		≤ 5 µA
DC resistance	R	27 Ω
Series inductance, typ.	L	20 µH
Protection level line-earth at 1 kV/µs and In	Up	≤ 800, typ. 650 V
Protection level line-line at 1 kV/µs and In	Up	≤ 20 / 27 V
Short-circuit current extinguishing capacity line-line		≤ 6 A
Short-circuit current extinguishing capacity line-earth		≤ 1 A
Lightning impulse current (10/350 µs)	Iimp	3 kA
Nominal impulse discharge current (10 x 8/20 µs)	In	20 kA
Service life test current (500 x 10/700 µs)	il	200 A
Critical discharge current (10/700 µs)		1000 A
Max. alternating discharge current (50 Hz/ 5x 0,5s)	Iwn	50 A
Max. current 50 Hz/0,5 s	Ig	80 A
Operating temperature range	TU	-25 - +85 °C

### Order Data

Product	EnerPro 12V-Tr
Article-No.	24 12 00