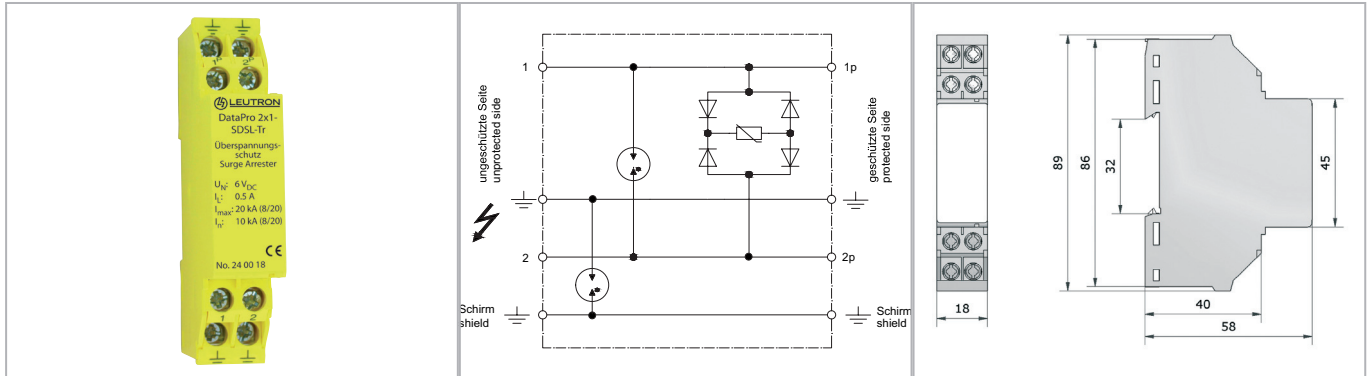


## Surge protection for measuring systems and automatic control devices

### One-piece SPD for MCR applications for high frequency



Surge voltage arrester with a two-step circuit to protect two single wires in data and signal lines. The arrester is especially designed for 24 V SPS input lines. It is suited for high-frequency and very fast data transmission. The arrester is applicable at the LPZ transition point OB-2 and higher. Alternatively, direct and indirect earthing is possible.

- High performance surge protector
- Lightning impulse current 5 kA (10/350  $\mu$ s)
- Transfer rate 100 Mbit/s
- Nominal current max. 500 mA
- Mounting directly on DIN rail
- fG > 300 MHz
- EAC certification

Technical Data	DP 2x1-24V-SDSL-Tr	
Nominal voltage DC	UN	24 V=
Nominal current	IL	0,5 A
C2 nominal discharge current (8/20 $\mu$ s) total	I <sub>max</sub>	20 kA
C2 nominal discharge current (8/20 $\mu$ s) per line	I <sub>n</sub>	10 kA
Protection level 1p-2p;1p,2p-PE (1 kV/ $\mu$ s)	U <sub>p</sub>	≤ 0,6 kV
Signal transmission rate		100 Mbit/s
Max. operating frequency (-3 dB)	fG	300 MHz
Operating temperature range	TU	- 25 - + 85 °C
Series resistance		0 $\Omega$
Series inductance, typ.	L	0 $\mu$ H
Response time	t <sub>A</sub>	≤ 1 ns
Degree of protection (IEC EN 60529)		IP 20
Max. conductor cross section		2,5 mm <sup>2</sup> single-wire / 1,5 mm <sup>2</sup> flexible with sleeve
Max. connection torque for terminals		1,5 Nm
Housing size WxHxD		17,5 x 87(90) x 58 mm
Terminals		Screw-type terminal
Mounting on		35 mm DIN rail (EN 60715)

Order Data	
Product	DP 2x1-24V-SDSL-Tr
Article-No.	24 00 24