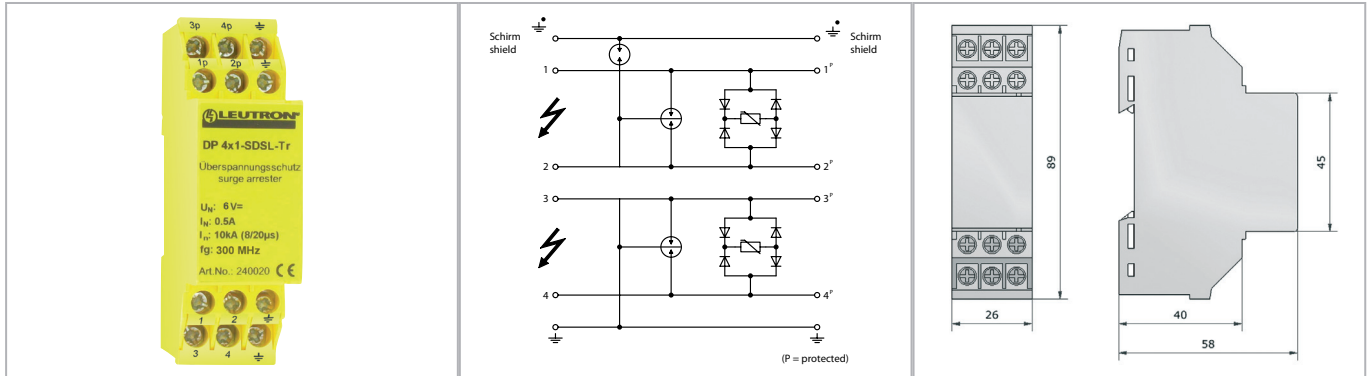


# Datasheet

## Surge protection for measuring systems and automatic control devices

### One-piece SPD for MCR applications for high frequency



Surge voltage arrester with a two-step circuit to protect two pairs of wires or four single wires with signal common.

- High performance surge protector
- Transfer rate 100 Mbit/s
- Nominal current max. 500 mA
- Mounting directly on DIN rail
- For fast dataline signals
- $f_G > 300$  MHz
- High-resistance shield grounding via shield terminal possible.
- EAC certification

Technical Data	DataPro 4x1-SDSL-Tr	
Nominal voltage DC	UN	6 V=
Nominal current	IL	0,5 A
C2 nominal discharge current (8/20 $\mu$ s) total	I <sub>max</sub>	20 kA
C2 nominal discharge current (8/20 $\mu$ s) per line	I <sub>n</sub>	10 kA
Protection level 1p-2p;1p,2p-PE (1 kV/ $\mu$ s)	U <sub>p</sub>	$\leq 0,6$ kV
Signal transmission rate		100 Mbit/s
Max. operating frequency (-3 dB)	f <sub>G</sub>	300 MHz
Series resistance		0 $\Omega$
Series inductance, typ.	L	0 $\mu$ H
Response time	t <sub>A</sub>	$\leq 1$ ns
Max. conductor cross section		2.5 mm <sup>2</sup> single-wire / 1.5 mm <sup>2</sup> flexible with sleeve
Max. connection torque for terminals		1,5 Nm
Terminals		Screw terminals
Mounting on		35 mm DIN rail form C (EN 60715)

### Order Data

Product	DataPro 4x1-SDSL-Tr
Article-No.	24 00 20