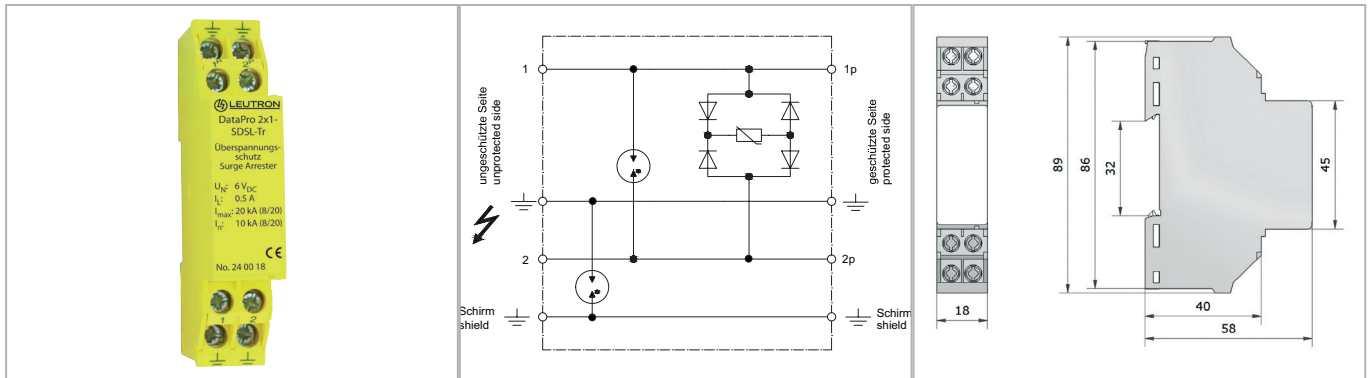


Surge protection for measuring systems and automatic control devices

One-piece SPD for MCR applications for high frequency



Surge voltage arrester with a two-step circuit to protect two single wires in data and signal lines. The arrester is especially designed for 24 V SPS input lines. It is suited for high-frequency and very fast data transmission. The arrester is applicable at the LPZ transition point OB-2 and higher. Alternatively, direct and indirect earthing is possible.

- High performance surge protector
- Lightning impulse current 5 kA (10/350 μ s)
- Transfer rate 100 Mbit/s
- Nominal current max. 500 mA
- Mounting directly on DIN rail
- $f_G > 300$ MHz
- EAC certification

Technical Data	DataPro 2x1-SDSL-Tr	
Nominal voltage DC	UN	6 V=
Nominal current	IL	0,5 A
C2 nominal discharge current (8/20 μ s) total	I _{max}	20 kA
C2 nominal discharge current (8/20 μ s) per line	I _n	10 kA
Protection level 1p-2p;1p,2p-PE (1 kV/ μ s)	U _p	≤ 0,6 kV
Signal transmission rate		100 Mbit/s
Max. operating frequency (-3 dB)	f _G	300 MHz
Operating temperature range	TU	- 25 - + 85 °C
Series resistance		0 Ω
Series inductance, typ.	L	0 μ H
Response time	t _A	≤ 1 ns
Degree of protection (IEC EN 60529)		IP 20
Max. conductor cross section		2.5mm ² solid or 1.5mm ² flexible with sleeve
Max. connection torque for terminals		1,5 Nm
Housing size WxHxD		17,5 x 87(90) x 58 mm
Terminals		Screw-type terminal
Mounting on		35 mm DIN rail (EN 60715)

Order Data	
Product	DataPro 2x1-SDSL-Tr
Article-No.	24 00 18