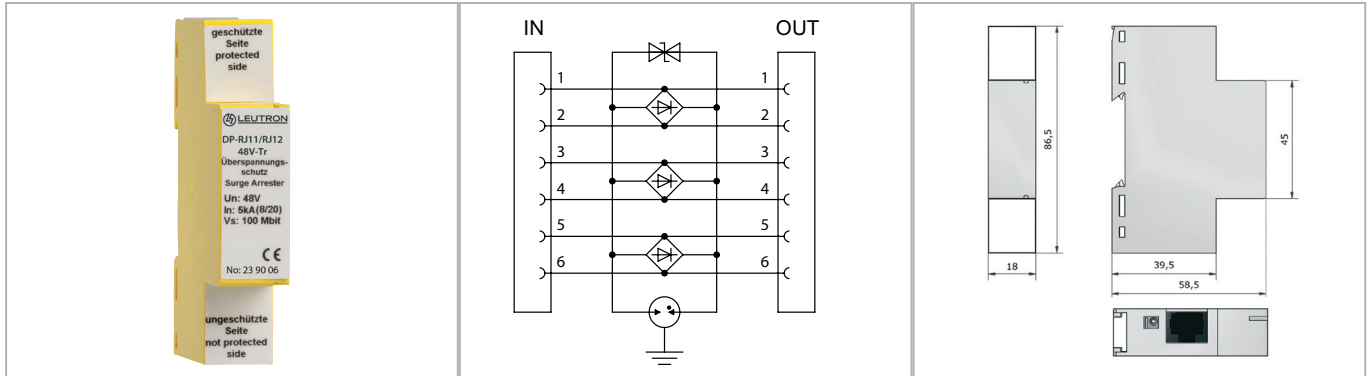


# Datasheet

## Surge protection for information technology and telecommunication installations

### Cat5 Application



Compact surge protective module for the protection of data networks, and network devices such as hubs, switches, server. The adaptor plug style provides an easy application in cable ducts or directly at the terminal equipment. All 6 signal lines (3 pair of wires) are protected simultaneously.

- Suitable for Cat. 5
- Compatible to 10Base T / 100Base T
- Applicable at the boundaries LPZ 1 - 2 and higher
- Test standard: IEC 61643-21 / EN 61643-21
- Mounting on 35 mm DIN rail (EN 60715)
- EAC certification

#### Technical Data

#### DP RJ11/RJ12-48V-Tr

IEC category		C2 / C1 / C3
Nominal voltage DC	UN	48V=
Max. continuous operating voltage DC	Uc	57V=
C2 nominal discharge current (8/20 $\mu$ s)	In	5 kA
Protection level at 1kV/ $\mu$ s	Up	$\leq 500$ V
Protection level at In (8/20 $\mu$ s)	Up	$\leq 600$ kV
Max. frequency	fG	$\leq 100$ MHz
Operating temperature range	TU	-40 - +80 °C
Type of connection		RJ11/RJ12, shielded
Degree of protection (IEC EN 60529)		IP 20
Dimension (DIN 43880)		1TE
Housing material		polycarbonate (halogen-free) UL 94-V0 / yellow

#### Order Data

Product	DP RJ11/RJ12-48V-Tr
Article-No.	23 90 06

#### Installation instruction: how to fix the grounding cable (earthing) PE

