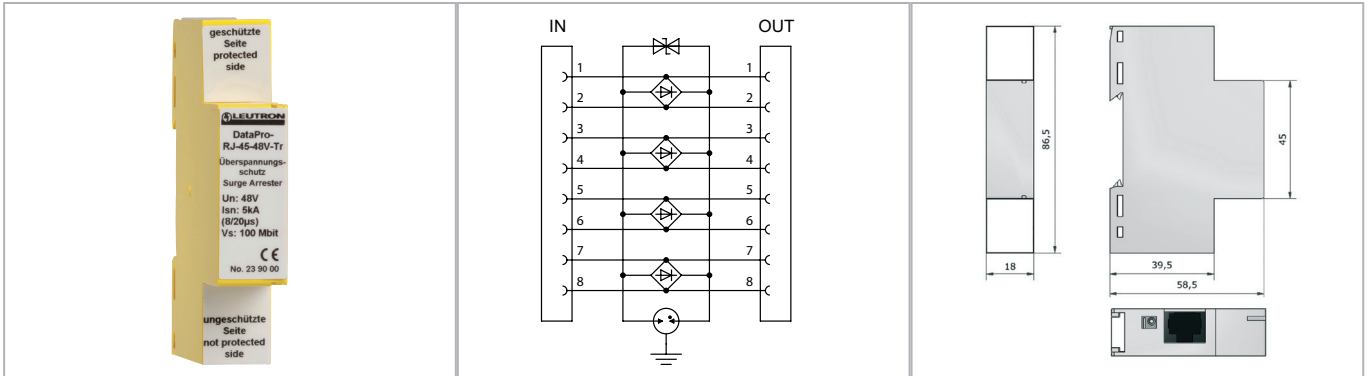


# Datasheet

## Surge protection for information technology and telecommunication installations

### Cat5 Application



Compact surge protective module for the protection of data networks, and network devices such as hubs, switches, server. The adaptor plug style provides an easy application in cable ducts or directly at the terminal equipment. All 8 signal lines (4 pair of wires) are protected simultaneously.

- Suitable for Cat. 5
- Compatible to 10Base T / 100Base T
- Applicable at the boundaries LPZ 1 - 2 and higher
- Test standard: IEC 61643-21 / EN 61643-21
- RJ45 SPD for mounting on rails
- RJ45 SPD for PoE (Power over Ethernet)
- EAC certification

Technical Data		DP RJ45-48V-Tr
IEC category		C2 / C1 / C3
Nominal voltage DC	UN	48 V=
Max. continuous operating voltage DC	Uc	57 V=
C2 nominal discharge current (8/20 µs)	In	5 kA
Protection level at 1kV/µs	Up	≤ 500 V
Protection level at In (8/20 µs)	Up	≤ 600 kV
Max. frequency	fG	≤ 100 MHz
Operating temperature range	TU	-40 - +80 °C
Type of connection		RJ 45, shielded
Degree of protection (IEC EN 60529)		IP 20
Dimension (DIN 43880)		1 TE
Housing material		polycarbonate (halogen-free) UL 94-V0 / yellow

Order Data	
Product	DP RJ45-48V-Tr
Article-No.	23 90 00

**Installation instruction: how to fix the grounding cable (earthing) PE**

**top view**

Push the the red switch with a screwdriver in the direction of the arrow. Now the terminal is open to stick the wire.

**bottom view**

Push the the red switch with a screwdriver in the direction of the arrow. Now the terminal is open to stick the wire.