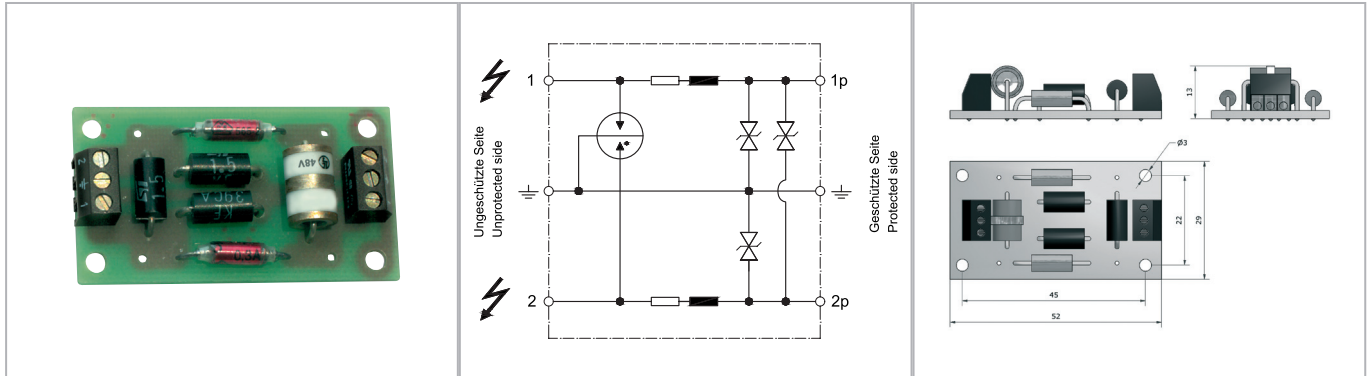


# Datasheet

## EMC filter with integrated surge protection

### MCR technology with integrated low-pass filter



To protect data and signal lines at measuring systems, automatic control devices and telecom installations. It is a compact protective circuit on a single printed circuit board (52 x 29 mm) which has been designed for the surge protection of sensitive electronic equipment. The DataPro Z is designed as a two-step coarse and fine protective circuit. The coarse protection is provided by a gas-filled surge arrester (GDT) and the fine protection by EMI filter and suppressor diodes. Due to the absence of varistors, no leakage currents occur. Hence, there is no need of remote supervision respectively periodic inspection.

- Compact construction
- All-purpose application
- Nominal current up to 300 mA
- Many voltage variation
- High discharge capacity (line-earth): 20 kA at 8/20  $\mu$ s
- Maintenance-free
- Budget-priced solution
- EAC certification

Technical Data	DataPro Z-48V/48V	
Nominal voltage DC	UN	48 / 48 V=
Nominal current	IL	0,3 A
C2 nominal discharge current (8/20 $\mu$ s) total	I <sub>max</sub>	20 kA
C2 nominal discharge current (8/20 $\mu$ s) per line	I <sub>n</sub>	10 kA
Protection level at I <sub>n</sub> (line-line)	U <sub>p</sub>	65 V
Protection level at I <sub>n</sub> (line-earth)	U <sub>p</sub>	65 V
Transverse impedance per wire	R	4,1 $\Omega$
Series inductance, typ.	L	40 $\mu$ H
Leakage current line-earth		<5 $\mu$ A
Leakage current line-line		<5 $\mu$ A
Dimensions (L x W)		52 x 29 mm

Order Data	
Product	DataPro Z-48V/48V
Article-No.	22 48 48